



Vetro 24

Accessories for glass doors with drillings and clamp height 24 mm
Accesorii pentru usi din sticla cu gaurire si inaltime clema 24 mm



Vetro 24

PATENTED

Accessories for glass doors with drillings and clamp height 24 mm.

Accesorii pentru usi din sticla cu gaurire si inaltime clema 24 mm



Vetro 24 is a sliding system suitable for **glass doors with drilling requirements and double clamps at reduced height** (only 24 mm).

This system match both with **monolithic and laminated glass**, with thicknesses from 8-8,7 mm (5/16") and 10-10,7 mm (3/8").

Vetro 24 integrates the new sliding trolleys, with **Fluid technology**: the movement turns out to be extremely soft, in opening and closing, for a costantly improved user experience.

The **Vetro 24** system is very **versatile**: it can also be used with counter frames.

Vetro 24 este un sistem de culisare potrivit pentru **usi din sticla cu necesar de perforare si cu cleme duble la inaltime redusa** (doar 24 mm).

Acest sistem este compatibil atat cu **sticla monolitica, cat si cu cea laminata**, cu grosimi de la 8-8,7 mm (5/16") si 10-10,7 mm (3/8").

Vetro 24 foloseste noile carucioare culisante, cu **tehnologie Fluid**: miscarea este extrem de lina, la deschidere si inchidere, pentru o experienta de utilizare constant imbunatatita.

Sistemul **Vetro 24** este foarte **versatil**: poate fi folosit si cu contracadre.



Vetro 24

COMPLETE BOX KIT / CUTIE KIT COMPLET



K		Complete kit for glass doors with clamp height 24 mm / Kit complet pentru usi din sticla cu inaltime clema 24 mm	
0311		For glass - Thickness 8-8,7 mm (5/16") Pentru sticla - Grosime 8-8,7 mm (5/16")	
0312		For glass - Thickness 10-10,7 mm (3/8") Pentru sticla - Grosime 10-10,7 mm (3/8")	
0313		For glass - Thickness 8-8,7 mm (5/16") - Cover ART.1725 Pentru sticla - Grosime 8-8,7 mm (5/16") - Masca ART.1725	
0314		For glass - Thickness 10-10,7 mm (3/8") - Cover ART.1725 Pentru sticla - Grosime 10-10,7 mm (3/8") - Masca ART.1725	
0315		For glass - Thickness 8-8,7 mm (5/16") - Cover ART.1742 Pentru sticla - Grosime 8-8,7 mm (5/16") - Masca ART.1742	
0316		For glass - Thickness 10-10,7 mm (3/8") - Cover ART.1742 Pentru sticla - Grosime 10-10,7 mm (3/8") - Masca ART.1742	
		0	Only spacers Doar distantiere
		8	N.2 Fluid dampers - Stroke 50 mm N.2 Amortizoare Fluid - Cursa 50 mm
			01 Anodized Silver / Argint anodizat

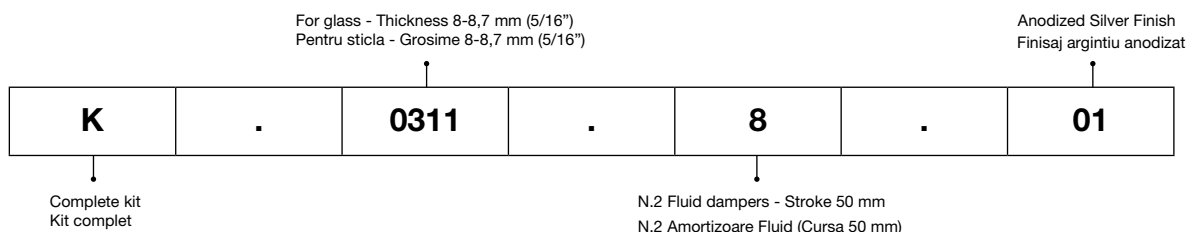
Vetro 24

COMPLETE BOX BLISTER / CUTIE BLISTER COMPLETA



B		Complete blister / Blister complet	
0315		Min. width 700 mm / Latime Min. 700 mm	
0316		Min. width 800 mm / Latime Min. 800 mm	
0317		Min. width 900 mm / Latime Min. 900 mm	
0318		Min. width 1000 mm / Latime Min. 1000 mm	
0319		Min. width 1200 mm / Latime Min. 1200 mm	
		8	Covers / Masti
			01 Anodized Silver / Argint anodizat

EXAMPLE / EXEMPLU



Tracks / SINE

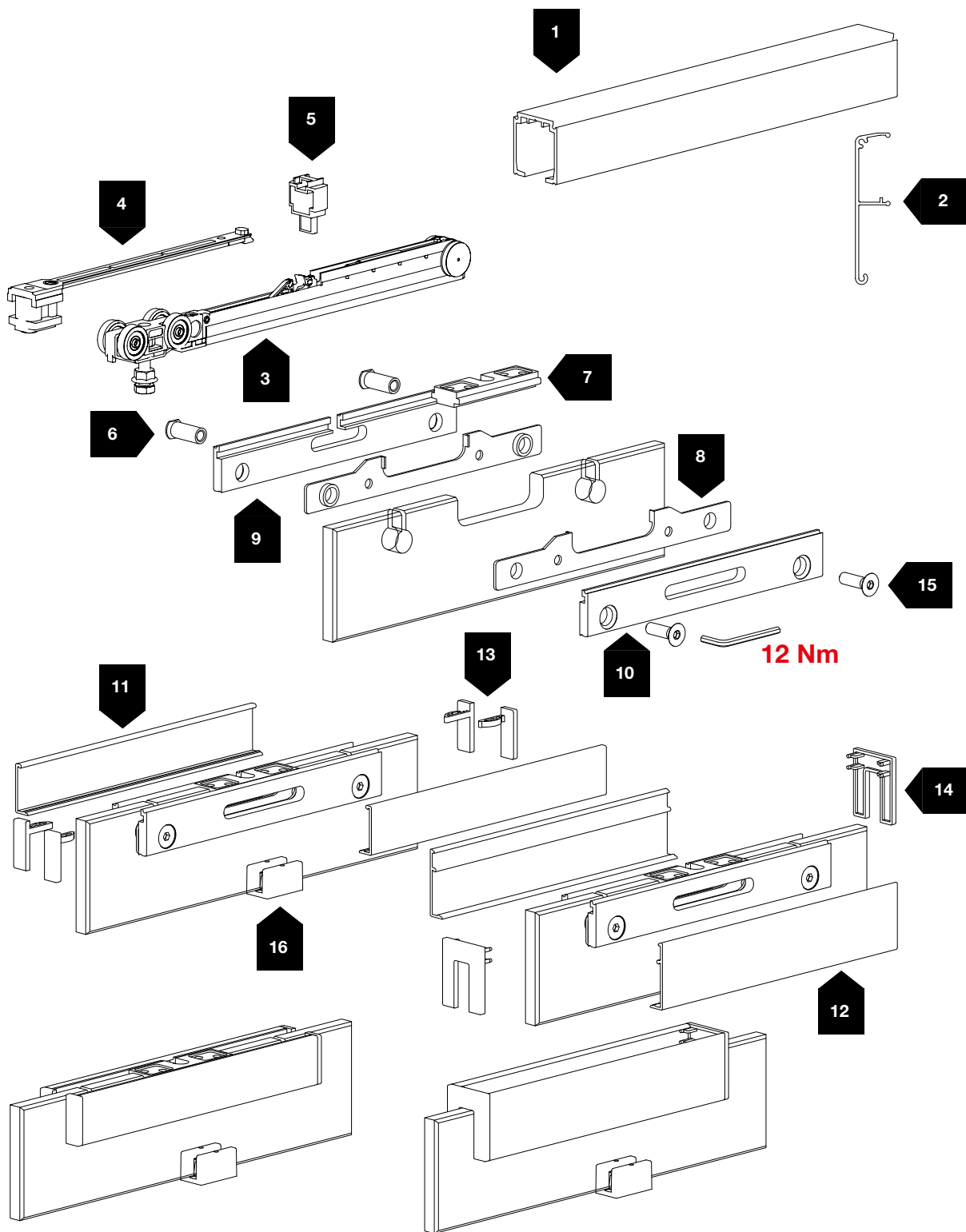
ALUMINUM FINISHES CODES / CODURI FINISAJE ALUMINIU



CODE / COD	FINISH COLOR / CULORI FINISAJE		STANDARD
8 00 0.0		00 G Raw / Mill Finish / Neutru/ Finisaj Brut	
8 01 0.0		01 A Anodized Silver / Argint anodizat	
8 02 0.0		02 AS Brushed Anodized Silver / Argint anodizat periat	

Vetro 24

Sliding system for glass doors with clamp height 24 mm
Sistem culisant pentru usi din sticla cu inaltime clema 24 mm



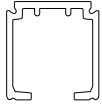
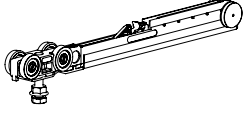

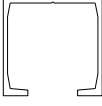
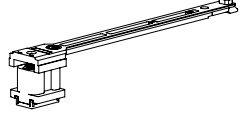

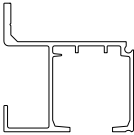
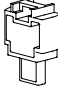
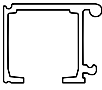
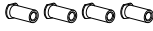

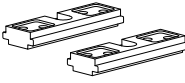

8-8,7 ÷ 10-10,7 mm



80 kg

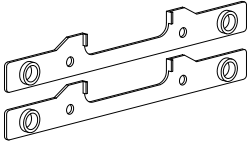
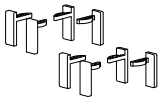
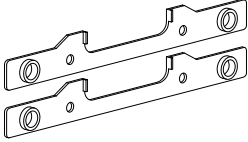
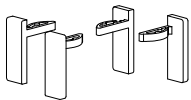
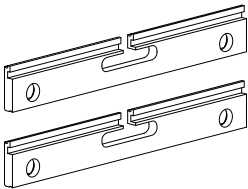
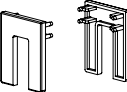
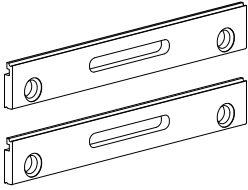


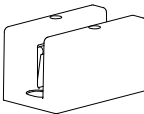



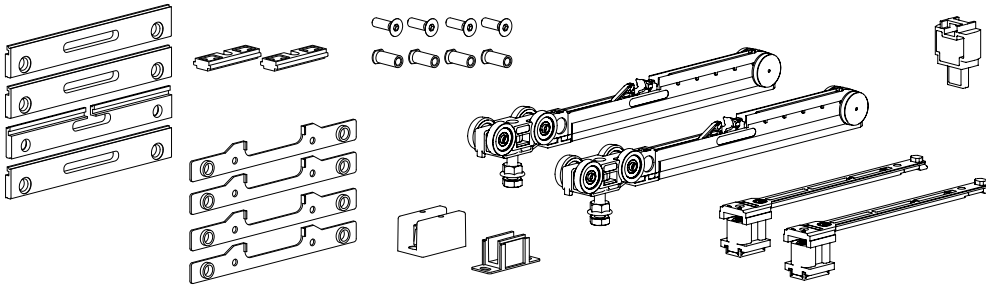
10 mm




N°			kg		N°			kg	
1	1280 8 01 0.01280		-		3	3397		80	
	1080 8 01 0.01080		-		4	3387		80	
	1359 8 01 0.01359		-		5	3347		-	
	1700 8 01 0.01700		-		6	1721		-	
	1720 8 01 0.01720		-		7	1714		-	
2	1380 8 02 0.01380		-						






Vetro 24

Sliding system for glass doors with clamp height 24 mm
Sistem culisant pentru usi din sticla cu inaltime clema 24 mm

N°			kg		N°			kg	
8	1723/8		-		13	1722/8		-	
	1723/10		-			1722/10		-	
9	1724/B/A		-		14	1744		-	
10	1724/V/A		-		15	M6x20		-	
11	1725/A		-		16	1483		80	
12	1742 8 02 0 .01742		-						

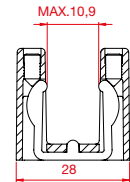
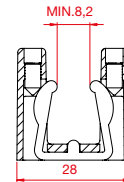
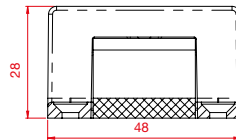
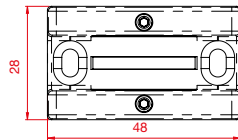


-  **50 mm**
-  N.2 Fluid dampers
N.2 Amortizoare Fluid
- FLUID**
-  Ball bearings
Rulmenti cu bile
- .01** Anodized Silver
Argint anodizat

	OLD CODE	NEW CODE				
KIT	-	K.0311.8.01	80 kg	Min. 780 mm	8-8,7 mm (5/16")	4x
	-	K.0312.8.01			10-10,7 mm (3/8")	4x

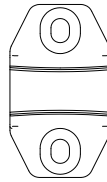
LOWER GUIDES / GHIDAJE INFERIOARE

STANDARD

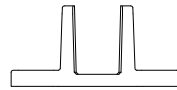


ART. 1483 (8-8,7 mm - 5/16" / 10-10,7 mm - 3/8")

COUNTERFRAMES
Contracadre



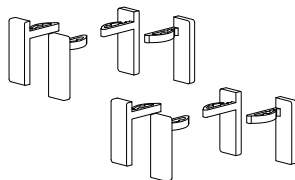
ART. 118 (8-8,7 mm - 5/16")



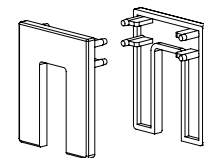
ART. 110 (10-10,7 mm - 3/8")

TOPS & COVERS / CAPACE SI MASTI

OPTIONAL

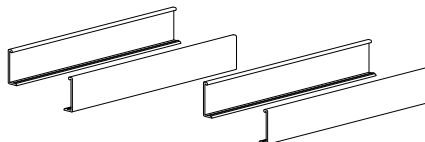


ART. 1722/8



ART. 1744

OPTIONAL



ART. 1725/170

ART. 1742

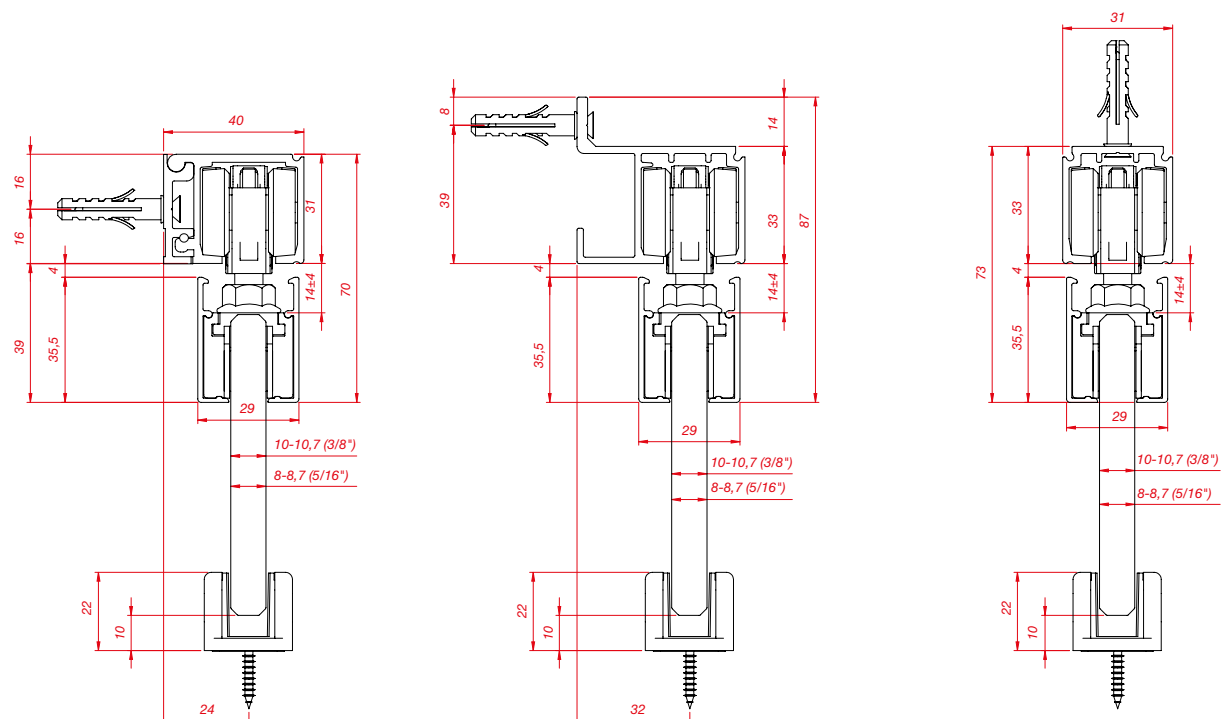
Vetro 24

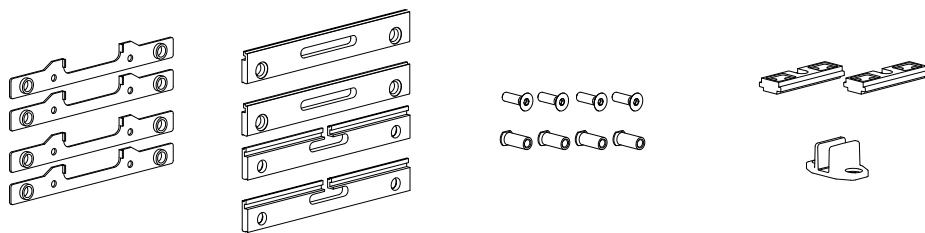
Sliding system for glass doors with clamp height 24 mm
Sistem culisant pentru usi din sticla cu inaltime clema 24 mm

MEASUREMENTS DESCRIPTION / DESCRIERE MASURATORI



CLAMP COVER MEASUREMENTS DESCRIPTION / DESCRIERE MASURATORI PENTRU MASCA CLEMA

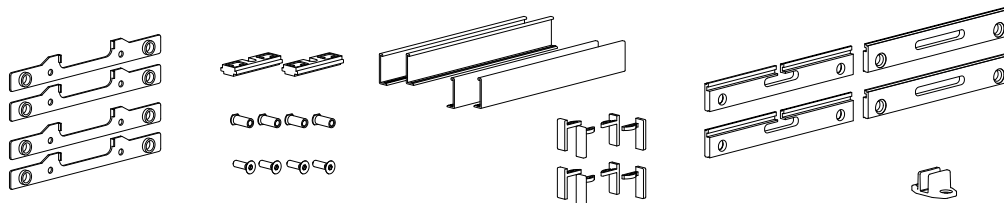




Counterframes kit
Kit contracadre

.01 Anodized Silver
Argint anodizat

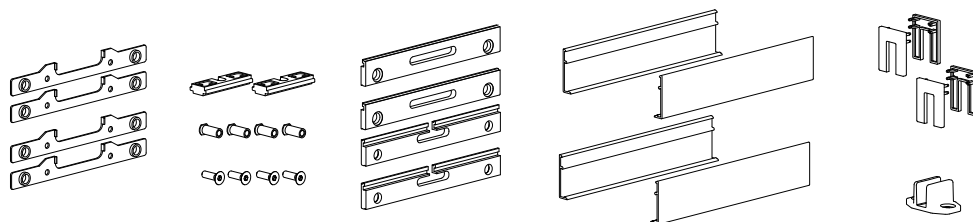
OLD CODE	NEW CODE	80 kg	8-8,7 mm (5/16")	5x
KIT 1724/1723/8/A	K.0311.0.01		10-10,7 mm (3/8")	5x
1724/1723/10/A	K.0312.0.01			



Counterframes kit
Kit contracadre

.01 Anodized Silver
Argint anodizat

OLD CODE	NEW CODE	80 kg	8-8,7 mm (5/16")	5x
KIT 1724/1725/8/A	K.0313.0.01		10-10,7 mm (3/8")	5x
1724/1725/10/A	K.0314.0.01			

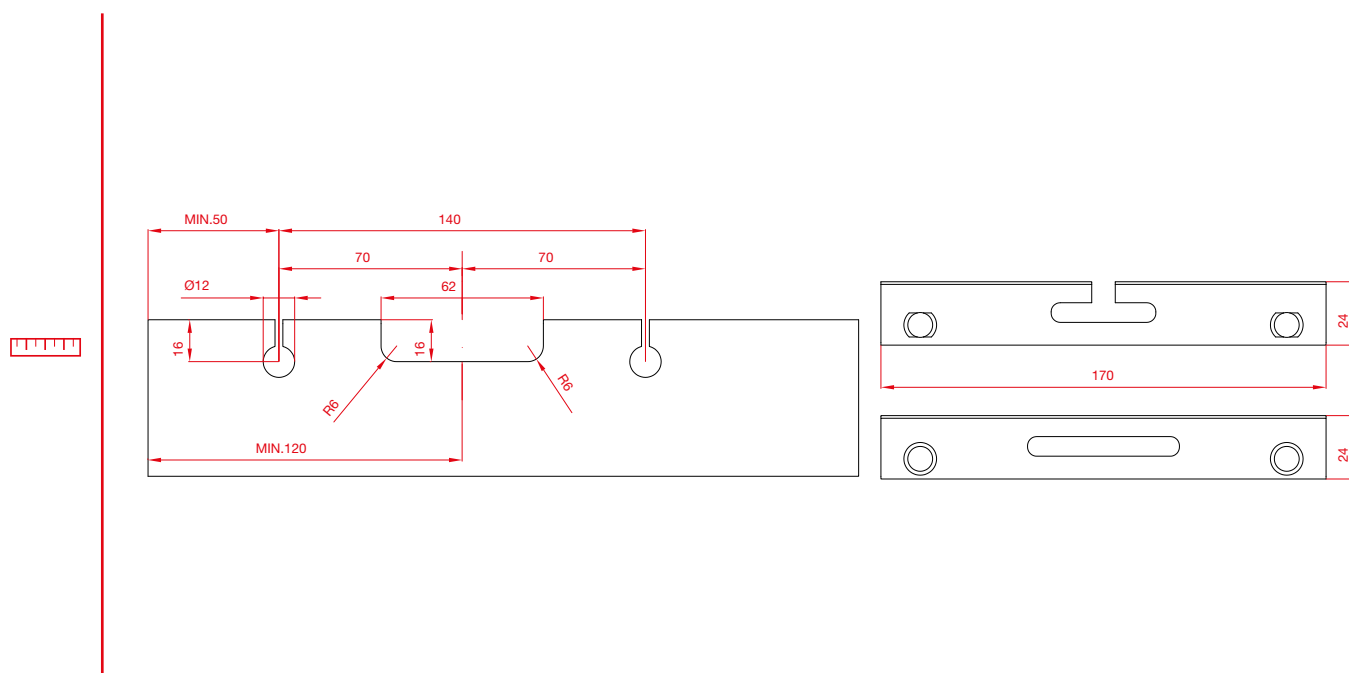


Counterframes kit
Kit contracadre

.01 Anodized Silver
Argint anodizat

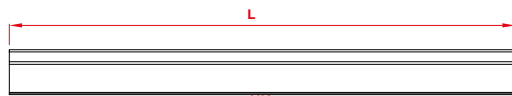
OLD CODE	NEW CODE	80 kg	8-8,7 mm (5/16")	5x
KIT 1724/1742/8/A	K.0315.0.01		10-10,7 mm (3/8")	5x
1724/1742/10/A	K.0316.0.01			

MEASUREMENTS DESCRIPTION / DESCRIERE MASURATORI



Vetro 24



Sliding system for glass doors with clamp height 24 mm
Sistem culisant pentru usi din sticla cu inaltime clema 24 mm



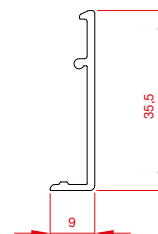
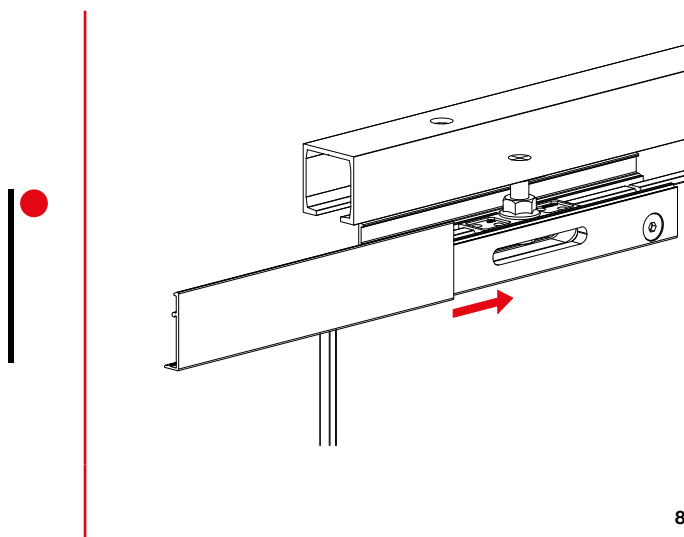
ART. 1742
(8010.01742)



ART. 1744

	OLD CODE	NEW CODE	L		
BLISTER	1742/70/A	B.0315.8.01	Min.700 mm	Max.799 mm	5x
	1742/80/A	B.0316.8.01	Min.800 mm	Max.899 mm	5x
	1742/90/A	B.0317.8.01	Min.900 mm	Max.999 mm	5x
	1742/100/A	B.0318.8.01	Min.1000 mm	Max.1099 mm	5x
	1742/120/A	B.0319.8.01	Min.1200 mm	Max.1299 mm	5x

COVER / MASCA



ART. 1742
8 02 0.01742



Terno Scorrevoli S.p.A.

**Via Ravenna, 4 - 20814 Varedo (MB) ITALY
Phone +39 0362 543001 - Fax +39 0362 582290**

**terno@ternoscorrevoli.com
www.ternoscorrevoli.com**