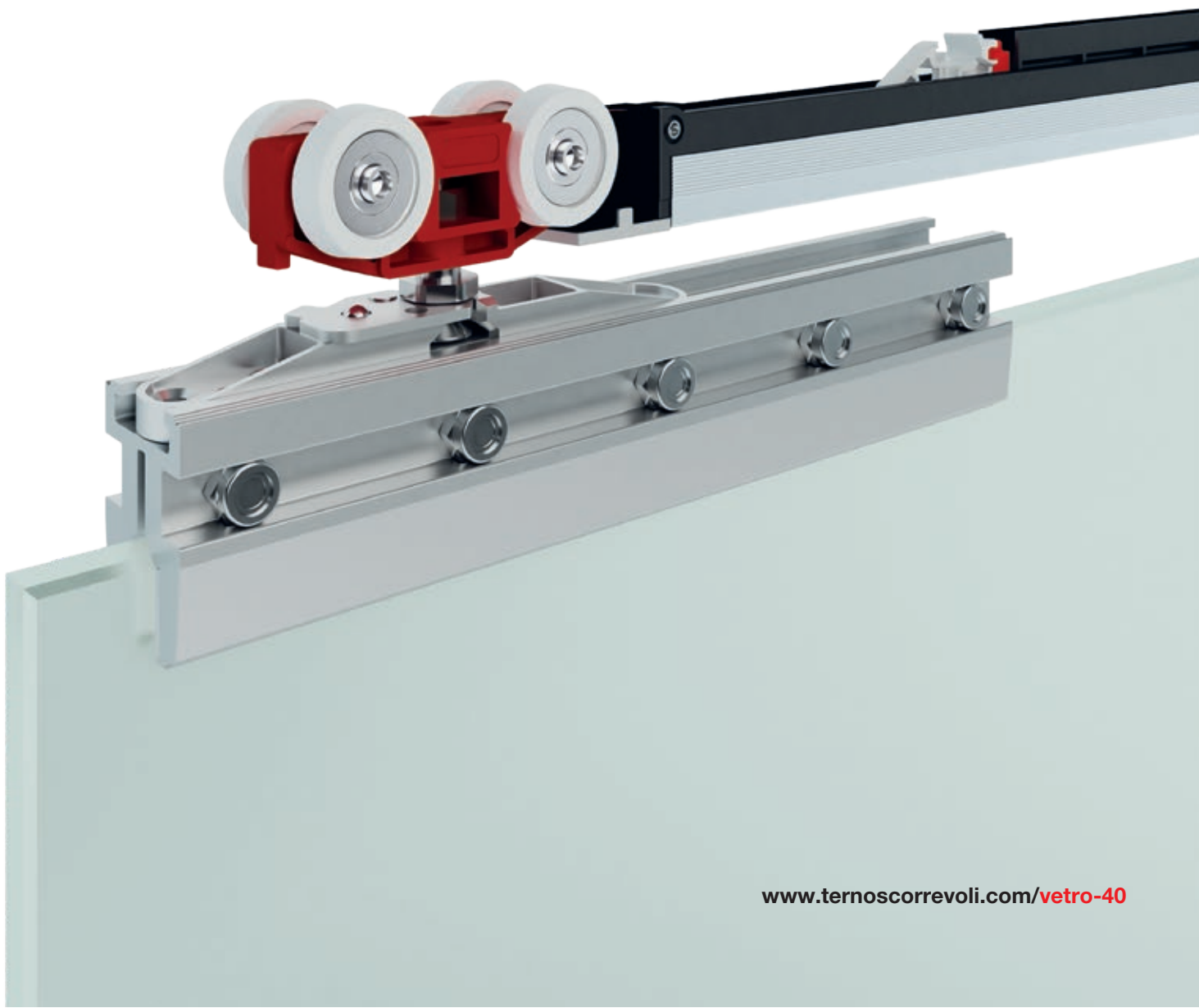




# Vetro 40

Accessories for glass doors without drillings and clamp height 40 mm  
Accesorii pentru usi din sticla fara gaurire si inaltime clema 40 mm



# Vetro 40









**PATENTED**

Accessories for glass doors without drillings and clamp height 40 mm.

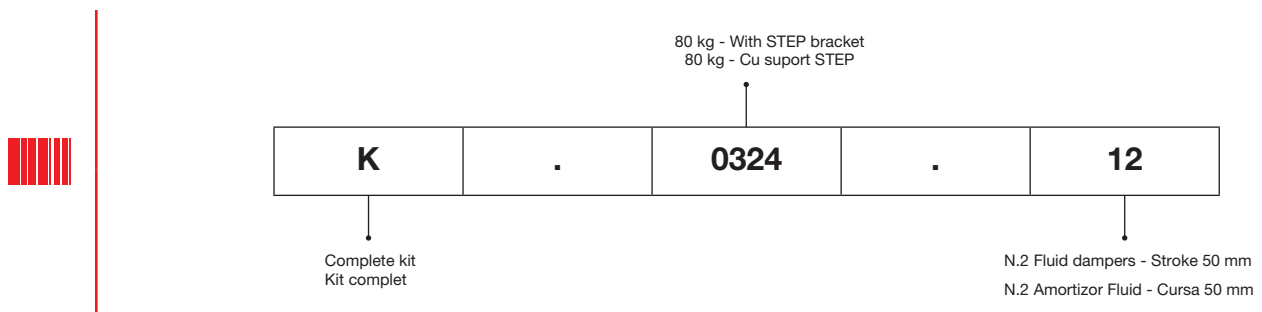
Accesorii pentru usi din sticla fara gaurire cu inaltime clema 40 mm.





<b>K</b>	Complete kit for N°1 glass door with clamp height 40 mm / Kit complet pentru usa din sticla N°1 cu inaltime 40 mm	
<b>B</b>	Complete blister / Blister complet	
	<b>0321</b>	 Blister (Glass thickness <b>8-8,7 mm - 5/16"</b> ) Blister (Grosime sticla <b>8-8,7 mm - 5/16"</b> )
	<b>0322</b>	 Blister (Glass thickness <b>10-10,7 mm - 3/8"</b> ) Blister (Grosime sticla <b>10-10,7 mm - 3/8"</b> )
	<b>0323</b>	 Blister (Glass thickness <b>12-12,7 mm - 1/2"</b> ) Blister (Grosime sticla <b>12-12,7 mm - 1/2"</b> )
	<b>0324</b>	 Kit (STEP bracket) Kit (Suport STEP)
	<b>0325</b>	 Kit (STEP bracket) Kit (Suport STEP)
	<b>0326</b>	 Accessories kit (Glass thickness <b>8-8,7 mm - 5/16"</b> ) Kit accesorii (Grosime sticla <b>8-8,7 mm - 5/16"</b> )
	<b>0327</b>	 Accessories kit (Glass thickness <b>10-10,7 mm - 3/8"</b> ) Kit accesorii (Grosime sticla <b>10-10,7 mm - 3/8"</b> )
	<b>0328</b>	 Accessories kit (Glass thickness <b>12-12,7 mm - 1/2"</b> ) Kit accesorii (Grosime sticla <b>12-12,7 mm - 1/2"</b> )
	<b>0</b>	No stoppers Fara opritoare
	<b>6</b>	N.2 Fluid dampers - Stroke 70 mm N.2 Amortizoare Fluid - Cursa 70 mm
	<b>12</b>	N.2 Fluid dampers - Stroke 50 mm N.2 Amortizoare Fluid - Cursa 50 mm
	<b>B</b>	With STEP bracket Cu suport STEP
	<b>C</b>	Without STEP bracket fara suport STEP
		<b>C</b> With cover Cu masca
		<b>S</b> Without cover Fara masca
		<b>C060</b> Standard track 600 mm with cover Sine standard 600 mm cu masca
		<b>S060</b> Standard track 600 mm Sine standard 600 mm
		<b>C070</b> Standard track 700 mm with cover Sine standard 700 mm cu masca
		<b>S070</b> Standard track 700 mm Sine standard 700 mm
		<b>C080</b> Standard track 800 mm with cover Sine standard 800 mm cu masca
		<b>S080</b> Standard track 800 mm Sine standard 800 mm
		<b>C090</b> Standard track 900 mm with cover Sine standard 900 mm cu masca
		<b>S090</b> Standard track 900 mm Sine standard 900 mm
		<b>C100</b> Standard track 1000 mm with cover Sina standard 1000 mm cu masca
		<b>S100</b> Standard track 1000 mm Sina standard 1000 mm
		<b>C120</b> Standard track 1200 mm with cover Sina standard 1200 mm cu masca
		<b>S120</b> Standard track 1200 mm Sina standard 1200 mm
		<b>C150</b> Standard track 1500 mm with cover Sina standard 1500 mm cu masca
		<b>S150</b> Standard track 1500 mm Sina standard 1500 mm

## EXAMPLE / EXEMPLU

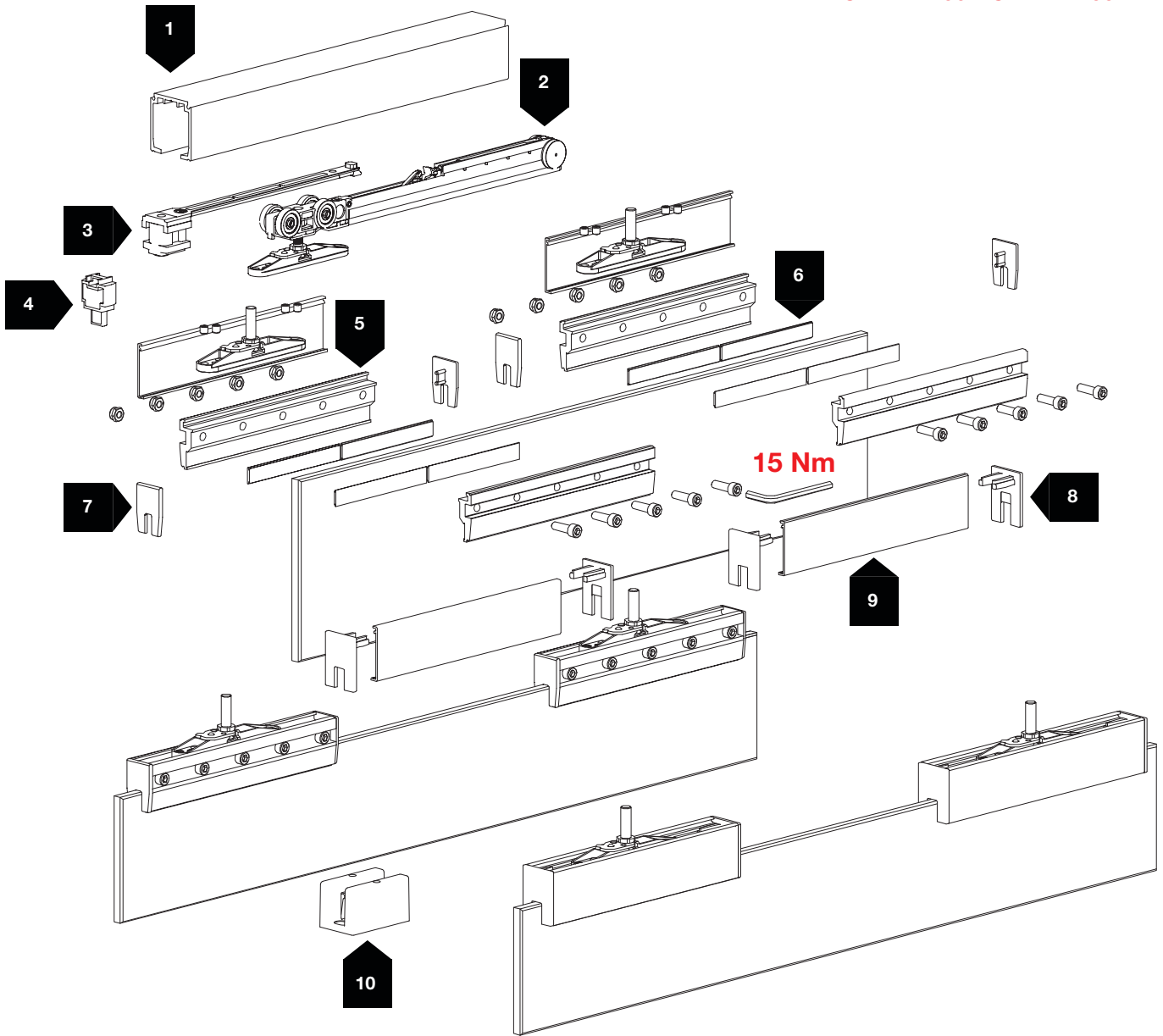


Tracks / Sine		ALUMINUM FINISHES CODES / CODURI FINISAJE ALUMINIU		
CODE / COD		FINISH COLOR / CULOARE FINISAJ		
8 01 0.0 .....	<b>01 A</b>	Anodized Silver / Argint anodizat		<b>STANDARD</b>
8 02 0.0 .....	<b>02 AS</b>	Brushed Anodized Silver / Argint anodizat periat		

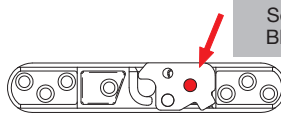
# Vetro 40

Sliding system for glass doors with clamp height 40 mm  
Sistem culisare usa din sticla cu inaltime clema 40 mm

## CLAMP 200 - CLEMA 200

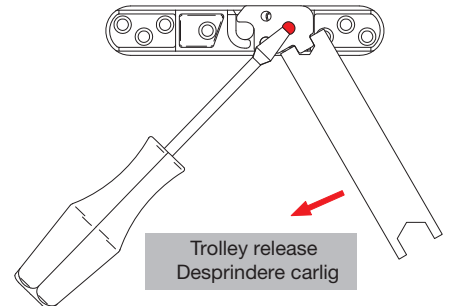


Position for trolley hooking  
Pozitie prindere carlig



Position for trolley hooked  
Pozitie prindere carlig

Security lockout  
Blocare siguranta



Trolley release  
Desprindere carlig



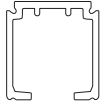

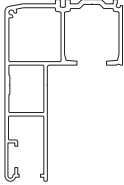

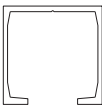
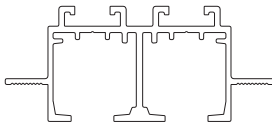

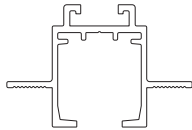
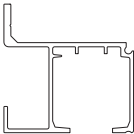
8-8,7 ÷ 12-12,7 mm



80 ÷ 120 kg

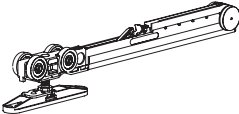
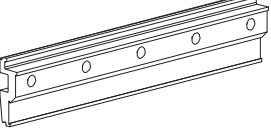
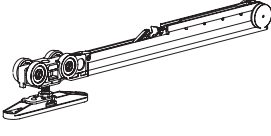
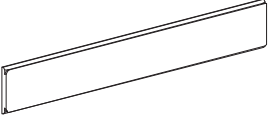
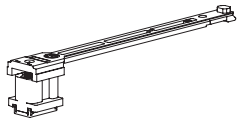
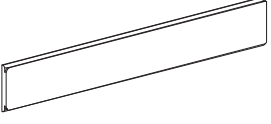
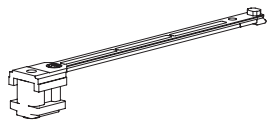
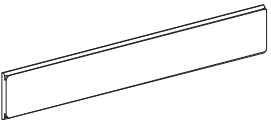
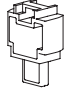


10 mm

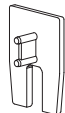
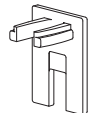
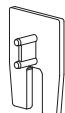
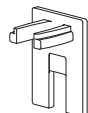
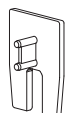

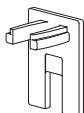
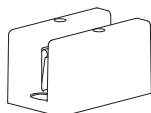
N°			kg		N°			kg	
1	1280 8 01 0.01280		-		1	1700 8 01 0.01700		-	
	1750 8 02 0.01750		-			1720 8 01 0.01720		-	
	1080 8 01 0.01080		-			1261 8 01 0.01261		-	OPTIONAL +
	1690 8 02 0.01690		-			1263 8 01 0.01263		-	OPTIONAL +
	1359 8 01 0.01359		-						

# Vetro 40

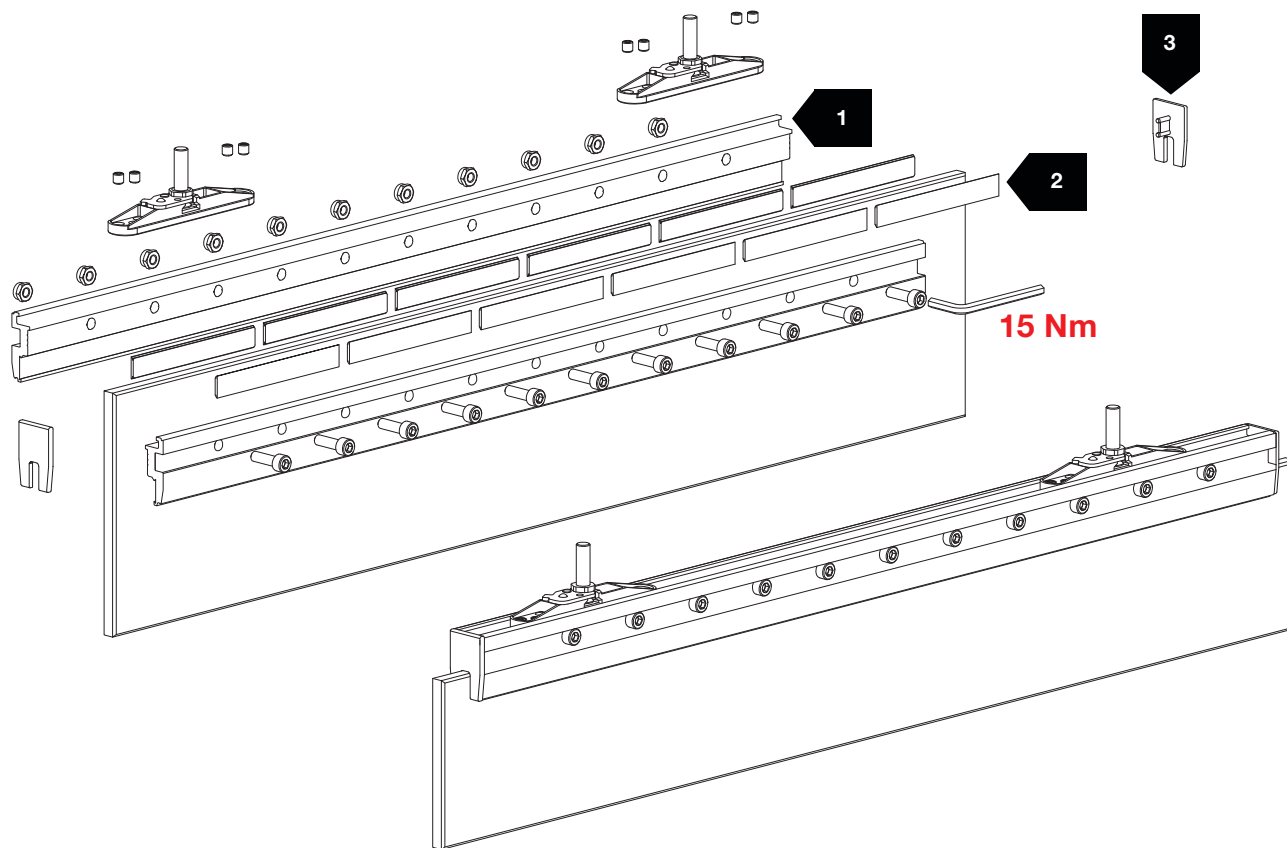
Sliding system for glass doors with clamp height 40 mm  
Sistemă culisare ușa din sticlă cu înălțime clema 40mm

N°			kg		N°			kg	
2	3395/V40		80	FLUID NEW	5	1712/020		—	
	3372/120/V40		120	FLUID NEW		1707		—	Glass thk. Grosime sticlă 8-8,7 mm (5/16")
3	3387		80	FLUID NEW	6	1704		—	Glass thk. Grosime sticlă 10-10,7 mm (3/8")
	3354		120	FLUID NEW		1705		—	Glass thk. Grosime sticlă 12-12,7 mm (1/2")
4	3347		—						



N°			kg		N°			kg	
7	1731		—	Glass thk. Grosime sticla 8-8,7 mm (5/16")	8	1701/10		—	Glass thk. Grosime sticla 10-10,7 mm (3/8")
	1733		—	Glass thk. Grosime sticla 10-10,7 mm (3/8")		1701/12		—	Glass thk. Grosime sticla 12-12,7 mm (1/2")
	1737		—	Glass thk. Grosime sticla 12-12,7 mm (1/2")		9	1703		—
8	1701/8		—	Glass thk. Grosime sticla 8-8,7 mm (5/16")	10	1483		80	Glass thk. Grosime sticla 8-8,7 mm ÷ 12-12,7 mm (5/16" ÷ 1/2")

**LONG CLAMPS - CLEME LUNGI**

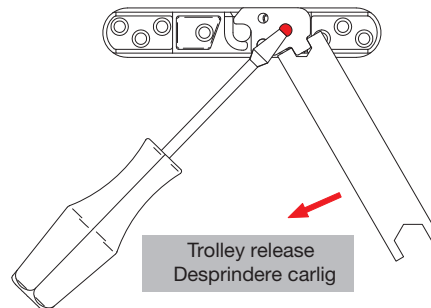


Position for trolley hooking  
Pozitie prindere carlig



Position for trolley hooked  
Pozitie prindere carlig

Security lockout  
Blocare siguranta



Trolley release  
Desprindere carlig




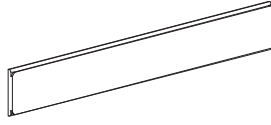
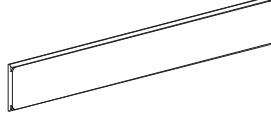
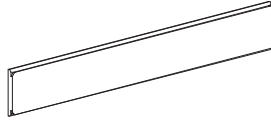
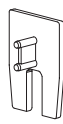

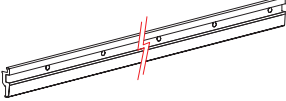

8-8,7 ÷ 12-12,7 mm



80 ÷ 120 kg



10 mm

N°			kg		N°			kg		
1	1712/A		—		2	1707		—	Glass thk. Grosime sticla 8-8,7 mm (5/16")	
						1704		—	Glass thk. Grosime sticla 10-10,7 mm (3/8")	
						1705		—	Glass thk. Grosime sticla 12-12,7 mm (1/2")	
	1712/060				3	1731		—	Glass thk. Grosime sticla 8-8,7 mm (5/16")	
	1712/070									
	1712/080						1733		—	Glass thk. Grosime sticla 10-10,7 mm (3/8")
	1712/090		—							
	1712/100						1737		—	Glass thk. Grosime sticla 12-12,7 mm (1/2")
1712/120										
1712/150										


# Vetro 40


Sliding system for glass doors with clamp height 40 mm  
Sistem culisare usa din sticla cu inaltime clema 40 mm

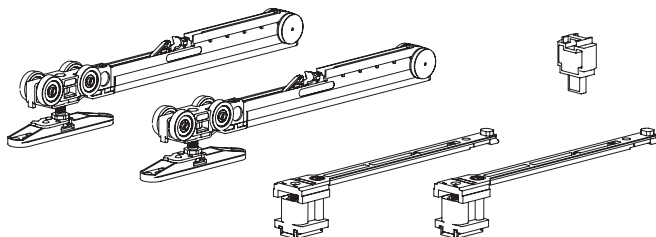
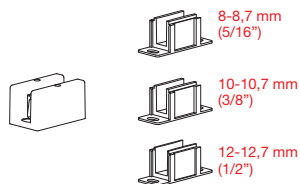
FLUID

 80 kg

 50 mm


 N.2 Fluid dampers  
N.2 Amortizoare Fluid  
**FLUID**

 Ball bearings  
Rulmenti cu bile





OLD CODE	NEW CODE		
-	K.0324.12	Min. 650 mm	4x

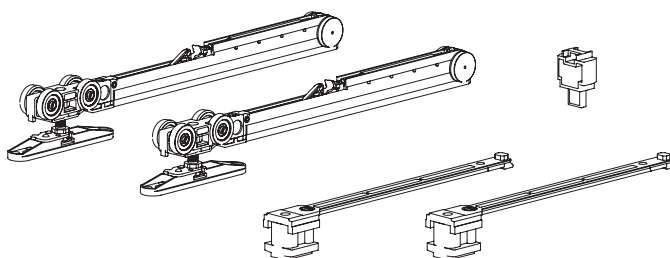
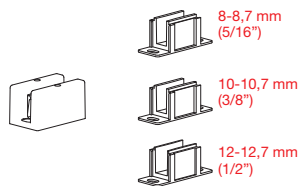
FLUID

 120 kg

 70 mm

 N.2 Fluid dampers  
N.2 Amortizoare Fluid  
**FLUID**

 Ball bearings  
Rulmenti cu bile



OLD CODE	NEW CODE		
-	K.0325.6	Min. 740 mm	4x

## FIXING WALL / FIXARE PERETE



ART. 122



ART. 1652



ART. 1770

## SEAL / GARNITURA



ART. 324  
KIT=10 mt



ART. 266  
KIT=10 mt

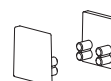
## TRACKS / SINE



ART. 1738  
(8 mm - 5/16")

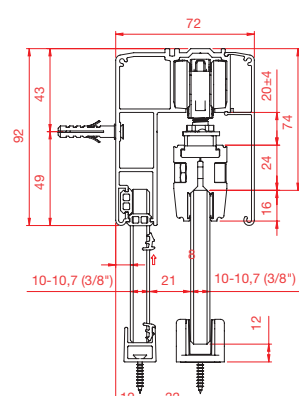
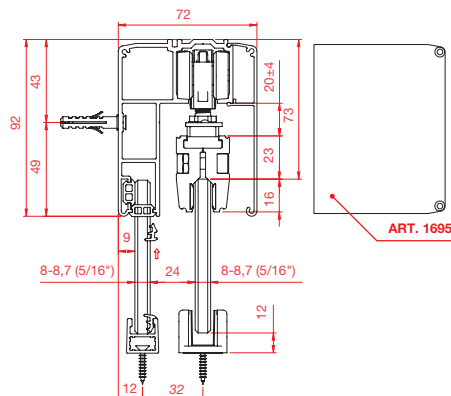
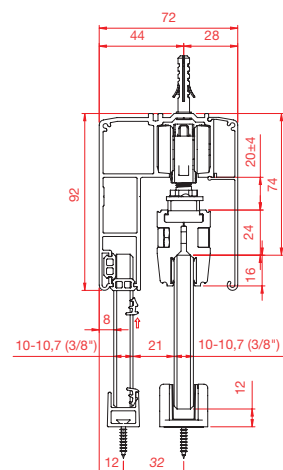
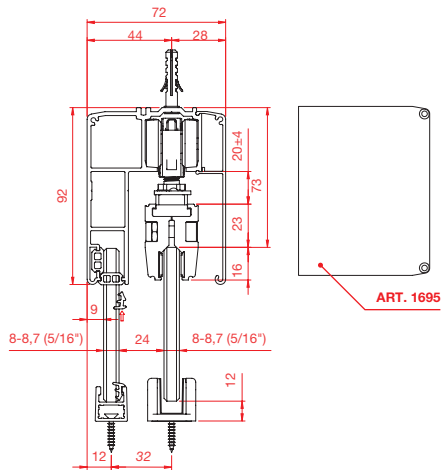
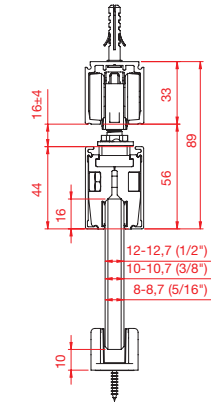
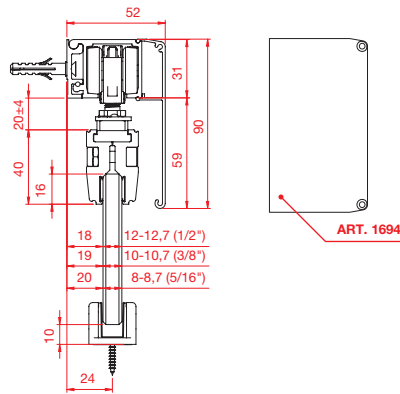
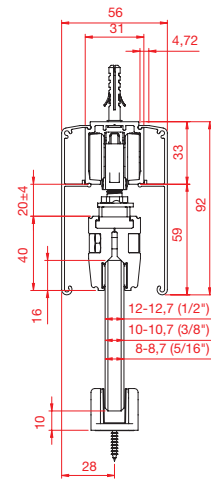
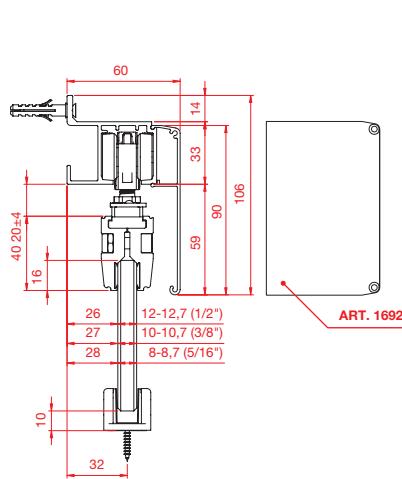


ART. 1740  
(10 mm - 3/8")



**OPTIONAL**  
ART. 1735  
(End Caps / Capace laterale)


MEASUREMENTS DESCRIPTION / DESCRIERE MASURATORI




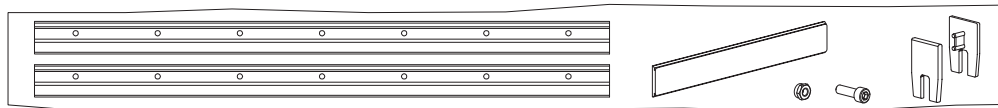
# Vetro 40





Sliding system for glass doors with clamp height 40 mm  
Sistem culisare usa din sticla cu inaltime clema 40 mm


 **120 kg**


 Without cover  
Fara masca


 Anodized Silver finish  
Finisaj argintiu anodizat

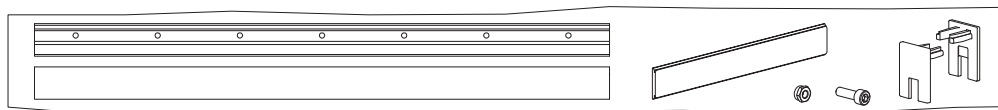






	OLD CODE	NEW CODE			SPACERS DISTANTIERE	
<b>BLISTER</b>	1712/8/060/A	B.0321.0.S060	<b>8-8,7 mm (5/16")</b>	600 ÷ 699 mm	N° 12	5x
	1712/8/070/A	B.0321.0.S070		700 ÷ 799 mm	N° 14	5x
	1712/8/080/A	B.0321.0.S080		800 ÷ 899 mm	N° 16	5x
	1712/8/090/A	B.0321.0.S090		900 ÷ 999 mm	N° 18	5x
	1712/8/100/A	B.0321.0.S100		1000 ÷ 1099 mm	N° 20	5x
	1712/8/120/A	B.0321.0.S120		1200 ÷ 1299 mm	N° 24	5x
	1712/8/150/A	B.0321.0.S150		1500 ÷ 1600 mm	N° 30	5x
<b>BLISTER</b>	1712/10/060/A	B.0322.0.S060	<b>10-10,7 mm (3/8")</b>	600 ÷ 699 mm	N° 12	5x
	1712/10/070/A	B.0322.0.S070		700 ÷ 799 mm	N° 14	5x
	1712/10/080/A	B.0322.0.S080		800 ÷ 899 mm	N° 16	5x
	1712/10/090/A	B.0322.0.S090		900 ÷ 999 mm	N° 18	5x
	1712/10/100/A	B.0322.0.S100		1000 ÷ 1099 mm	N° 20	5x
	1712/10/120/A	B.0322.0.S120		1200 ÷ 1299 mm	N° 24	5x
	1712/10/150/A	B.0322.0.S150		1500 ÷ 1600 mm	N° 30	5x
<b>BLISTER</b>	1712/12/060/A	B.0323.0.S060	<b>12-12,7 mm (1/2")</b>	600 ÷ 699 mm	N° 12	5x
	1712/12/070/A	B.0323.0.S070		700 ÷ 799 mm	N° 14	5x
	1712/12/080/A	B.0323.0.S080		800 ÷ 899 mm	N° 16	5x
	1712/12/090/A	B.0323.0.S090		900 ÷ 999 mm	N° 18	5x
	1712/12/100/A	B.0323.0.S100		1000 ÷ 1099 mm	N° 20	5x
	1712/12/120/A	B.0323.0.S120		1200 ÷ 1299 mm	N° 24	5x
	1712/12/150/A	B.0323.0.S150		1500 ÷ 1600 mm	N° 30	5x

 **120 kg**

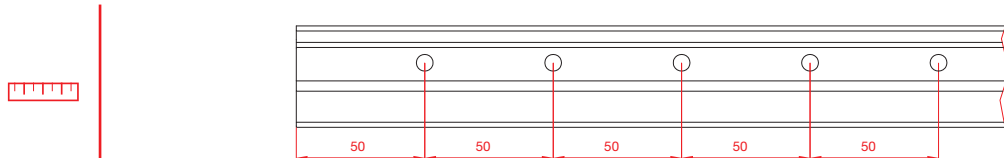
 With cover  
Cu masca

 Anodized Silver finish  
Finisaj argintiu anodizat

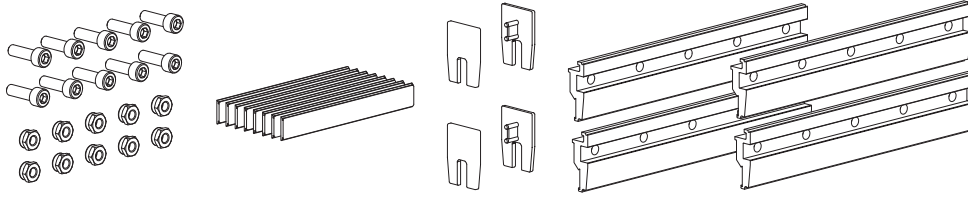


	OLD CODE	NEW CODE			SPACERS DISTANTIERE	
<b>BLISTER</b>	1712/8/060/AC	B.0321.0.C060	<b>8-8,7 mm (5/16")</b>	600 ÷ 699 mm	N° 12	5x
	1712/8/070/AC	B.0321.0.C070		700 ÷ 799 mm	N° 14	5x
	1712/8/080/AC	B.0321.0.C080		800 ÷ 899 mm	N° 16	5x
	1712/8/090/AC	B.0321.0.C090		900 ÷ 999 mm	N° 18	5x
	1712/8/100/AC	B.0321.0.C100		1000 ÷ 1099 mm	N° 20	5x
	1712/8/120/AC	B.0321.0.C120		1200 ÷ 1299 mm	N° 24	5x
	1712/8/150/AC	B.0321.0.C150		1500 ÷ 1600 mm	N° 30	5x
<b>BLISTER</b>	1712/10/060/AC	B.0322.0.C060	<b>10-10,7 mm (3/8")</b>	600 ÷ 699 mm	N° 12	5x
	1712/10/070/AC	B.0322.0.C070		700 ÷ 799 mm	N° 14	5x
	1712/10/080/AC	B.0322.0.C080		800 ÷ 899 mm	N° 16	5x
	1712/10/090/AC	B.0322.0.C090		900 ÷ 999 mm	N° 18	5x
	1712/10/100/AC	B.0322.0.C100		1000 ÷ 1099 mm	N° 20	5x
	1712/10/120/AC	B.0322.0.C120		1200 ÷ 1299 mm	N° 24	5x
	1712/10/150/AC	B.0322.0.C150		1500 ÷ 1600 mm	N° 30	5x
<b>BLISTER</b>	1712/12/060/AC	B.0323.0.C060	<b>12-12,7 mm (1/2")</b>	600 ÷ 699 mm	N° 12	5x
	1712/12/070/AC	B.0323.0.C070		700 ÷ 799 mm	N° 14	5x
	1712/12/080/AC	B.0323.0.C080		800 ÷ 899 mm	N° 16	5x
	1712/12/090/AC	B.0323.0.C090		900 ÷ 999 mm	N° 18	5x
	1712/12/100/AC	B.0323.0.C100		1000 ÷ 1099 mm	N° 20	5x
	1712/12/120/AC	B.0323.0.C120		1200 ÷ 1299 mm	N° 24	5x
	1712/12/150/AC	B.0323.0.C150		1500 ÷ 1600 mm	N° 30	5x

ART. 1712



ACCESSORIES FOR KITS OF PAG. 12 / ACCESORII PENTRU KITUL DE LA PAG. 12

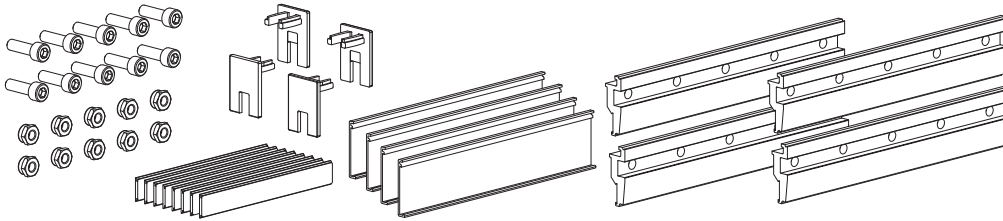


**120 kg**

Without cover  
Fara masca

Anodized Silver finish  
Finisaj argintiu anodizat

	OLD CODE	NEW CODE		
KIT	1712/8/020/A	K.0326.C.S	8-8,7 mm (5/16")	5x
	1712/10/020/A	K.0327.C.S	10-10,7 mm (3/8")	5x
	1712/12/020/A	K.0328.C.S	12-12,7 mm (1/2")	5x



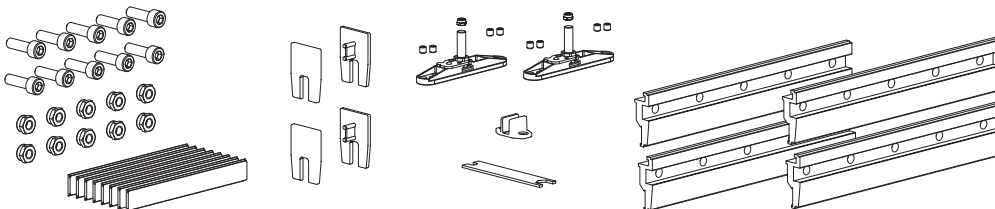
**120 kg**

With cover  
Cu masca

Anodized Silver finish  
Finisaj argintiu anodizat

	OLD CODE	NEW CODE		
KIT	1712/8/020/AC	K.0326.C.C	8-8,7 mm (5/16")	5x
	1712/10/020/AC	K.0327.C.C	10-10,7 mm (3/8")	5x
	1712/12/020/AC	K.0328.C.C	12-12,7 mm (1/2")	5x

KIT FOR COUNTERFRAMES / KIT PENTRU CONTRACADRE

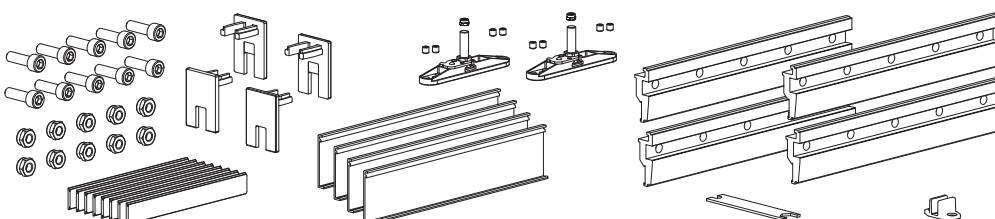


**120 kg**

Without cover  
Fara masca

Anodized Silver finish  
Finisaj argintiu anodizat

	OLD CODE	NEW CODE		
KIT	1712/8/020/ASB	K.0326.B.S	8-8,7 mm (5/16")	5x
	1712/10/020/ASB	K.0327.B.S	10-10,7 mm (3/8")	5x
	1712/12/020/ASB	K.0328.B.S	12-12,7 mm (1/2")	5x



**120 kg**

With cover  
Cu masca

Anodized Silver finish  
Finisaj argintiu anodizat

	OLD CODE	NEW CODE		
KIT	1712/8/020/ACSB	K.0326.B.C	8-8,7 mm (5/16")	5x
	1712/10/020/ACSB	K.0327.B.C	10-10,7 mm (3/8")	5x
	1712/12/020/ACSB	K.0328.B.C	12-12,7 mm (1/2")	5x



## **Terno Scorrevoli S.p.A.**

**Via Ravenna, 4 - 20814 Varedo (MB) ITALY  
Phone +39 0362 543001 - Fax +39 0362 582290**

**[terno@ternoscorrevoli.com](mailto:terno@ternoscorrevoli.com)  
[www.ternoscorrevoli.com](http://www.ternoscorrevoli.com)**