



Vetro 40 Drag

Mechanisms for manual telescopic glass doors
Mecanisme pentru usi telescopice manuale din sticla



Vetro 40 Drag

PATENTED

Mechanisms for manual telescopic glass doors.

Mecanisme pentru usi telescopice manuale din sticla



Sliding system suitable for drag glass door

Vetro 40 Drag is a sliding system suitable for drag glass door with a **reduced height clamp** (only 40 mm). The system is available with full-length clamping system that can be cut to size at a later time.

The system is compatible with monolithic or laminated glass, with thicknesses of 8-8,7 (5/16") mm and 10-10,7 mm (3/8").

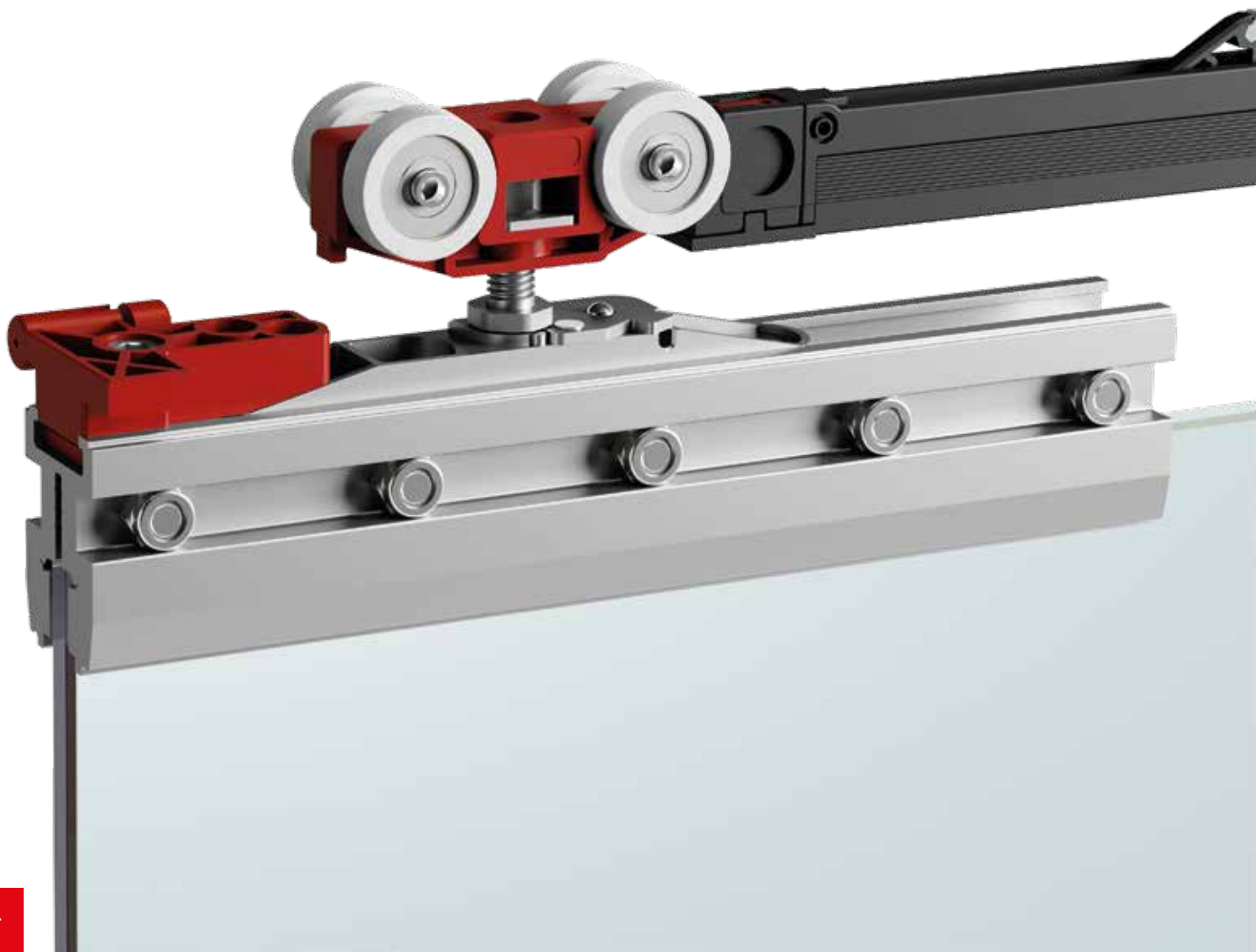
Vetro 40 Drag integrates the new sliding trolleys with **Fluid** technology: the movement turns out to be extremely soft, in opening and closing, for a constantly improved user experience.

Sistem de culisare potrivit pentru usile drag din sticla

Vetro 40 Drag este un sistem de culisare potrivit pentru usile din sticla drag cu o **clema cu inaltime redusa** (doar 40 mm). Sistemul este disponibil cu un sistem de prindere pe toata lungimea, care mai tarziu poate fi taiat la dimensiune.

Sistemul este compatibil cu sticla monolitica sau laminata, cu grosimi de 8-8,7 (5/16") mm and 10-10,7 mm (3/8").



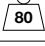
Vetro 40 Drag integreaza noile carucioare culisante cu tehnologie **Fluid**: miscarea se dovedeste a fi extrem de fina, la deschidere si inchidere, pentru o experienta de utilizare constant imbunatatita.

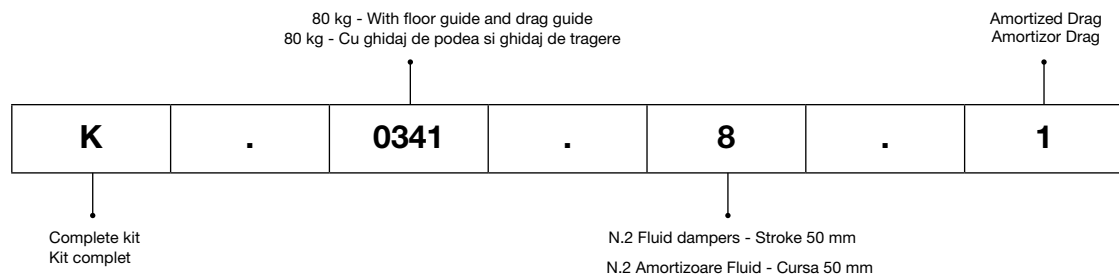


Vetro 40 Drag

COMPLETE BOX KIT / KIT CUTIE COMPLET





K	Complete kit for N°1 manual telescopic glass door / Kit complet pentru usa N°1 telescopica manuala din sticla					
	0341		With floor guide and drag guide Cu ghidaj de podea și ghidaj de tragere	A		
	0342		With drag guide Ghidaj de tragere	B		
	0343		Without guides Fara ghidaj	C		
					8	N.2 Fluid dampers - Stroke 50 mm N.2 Amortizoare Fluid - Cursa 50 mm
						1 Amortized Drag Amortizor Drag

EXAMPLE / EXEMPLU**Tracks / Sine**

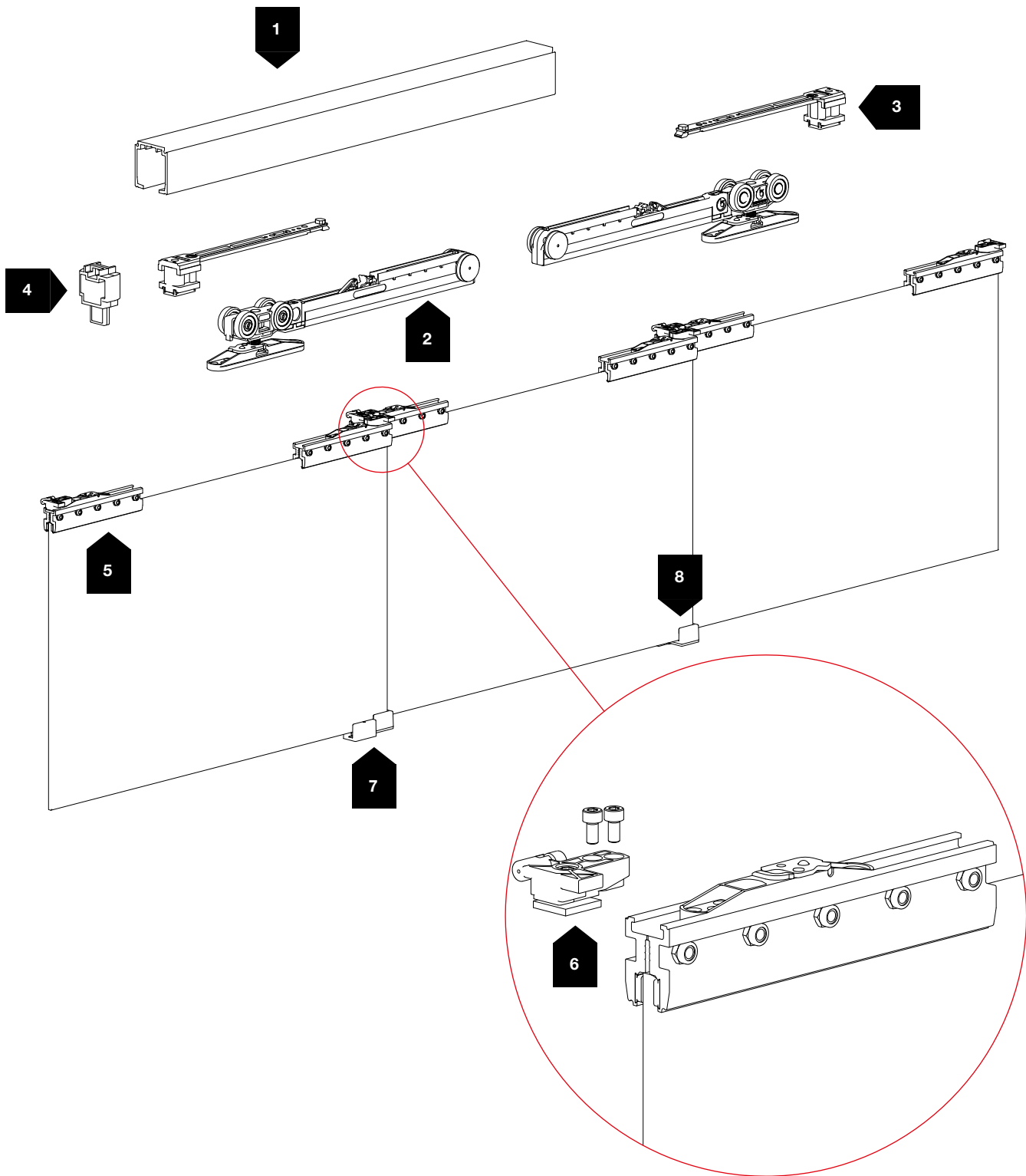
ALUMINUM FINISHES CODES / CODURI FINISAJE ALUMINIU



CODE / COD	FINISH COLOR / CULORI FINISAJE			STANDARD
8 01 0.0		01 A	Anodized Silver / Argint anodizat	
8 02 0.0		02 AS	Brushed Anodized Silver / Argint anodizat periat	

Vetro 40 Drag

Manual telescopic glass doors
Usi telescopice manuale din sticla



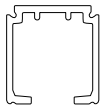
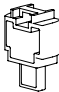

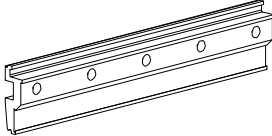
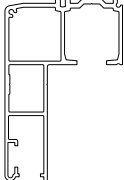
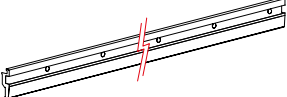

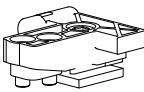

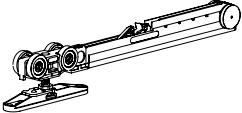
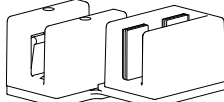
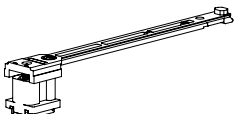
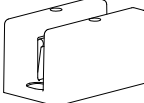
8-8,7 ÷ 10-10,7 mm



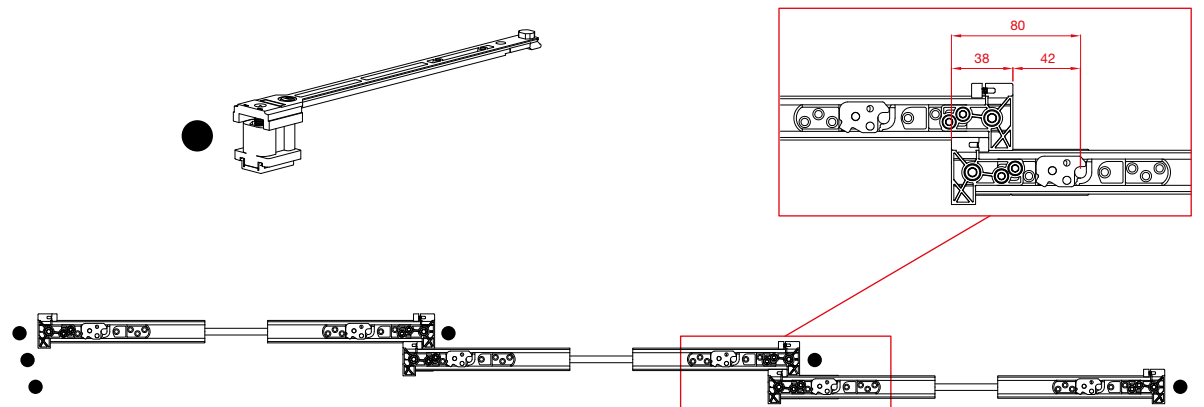
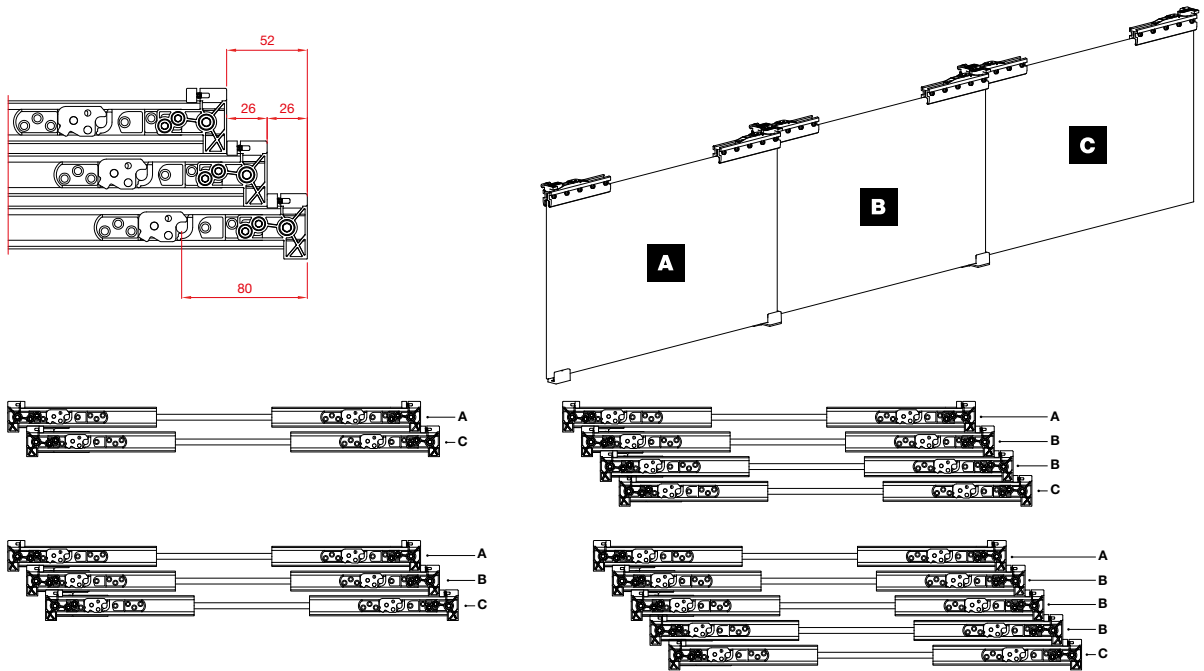
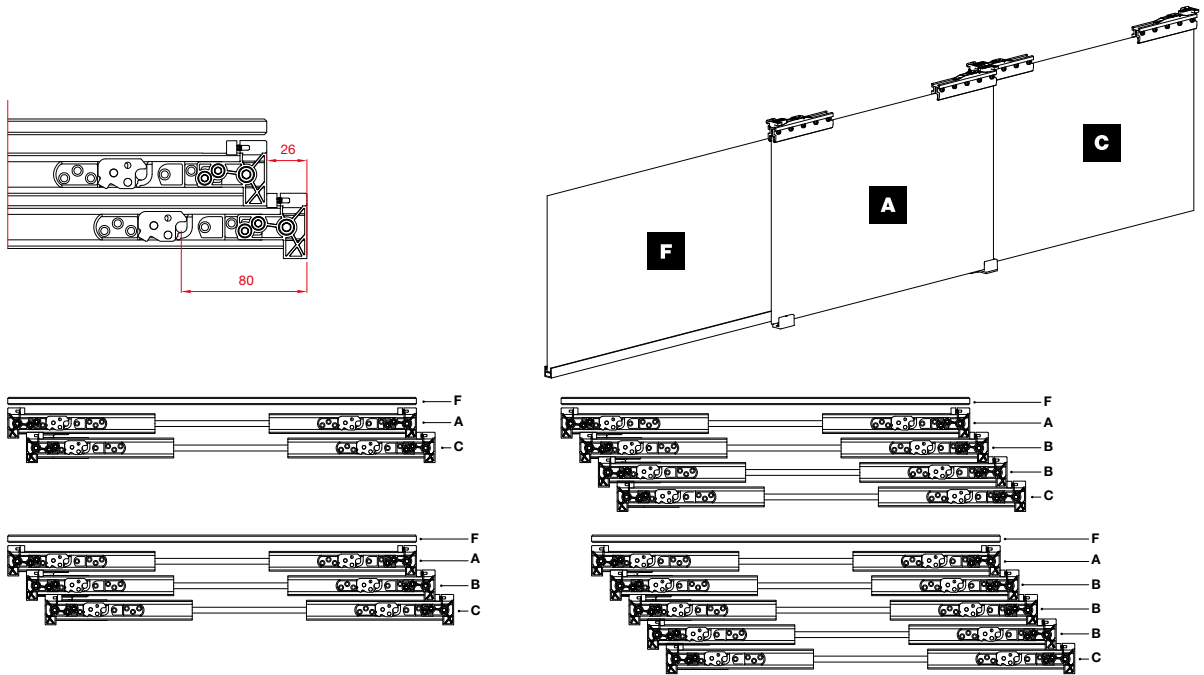
80 kg

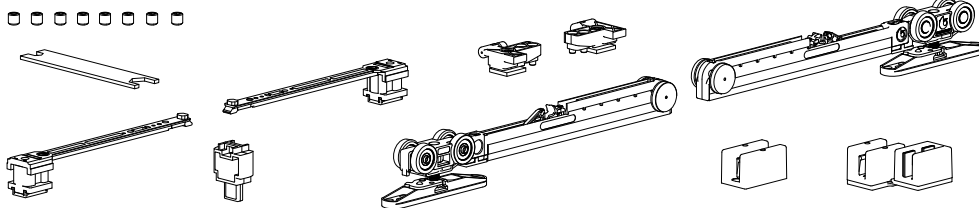


10 mm

N°			kg		N°			kg	
1	1280 8 01 0.01280		-		4	3347		-	
	1770 8 01 0.01770		-		5	1712/020		-	
	1750 8 02 0.01750		-			1712/060		-	
						1712/070			
1712/080									
1712/090									
1712/100									
1712/120									
1712/150									
266		-		6	1661-DX		-		
					1661-SX		-		
2	3395/V40		80		7	1485		80	
									FLUID NEW
3	3387		80		8	1483		80	
									FLUID NEW

SYSTEMS DESCRIPTION / DESCRIEREA SISTEMELOR



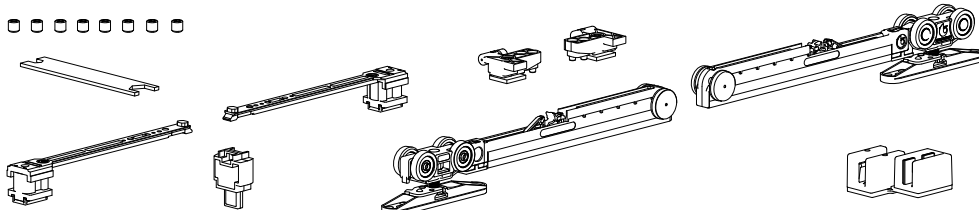


50 mm

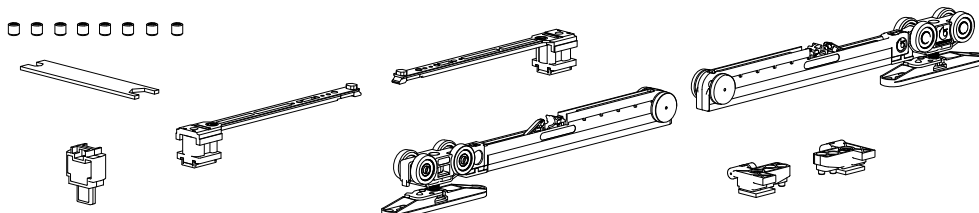
N.2 Fluid dampers
N.2 Amortizoare Fluid

FLUID
 Ball bearings
Rulmenti cu bile

OLD CODE	NEW CODE				
-	K.0341.8.1	A 8-8,7 mm (5/16") 10-10,7 mm (3/8")	80 kg	Min. 700 mm	5x



OLD CODE	NEW CODE				
-	K.0342.8.1	B 8-8,7 mm (5/16") 10-10,7 mm (3/8")	80 kg	Min. 700 mm	5x

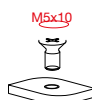


OLD CODE	NEW CODE				
-	K.0343.8.1	C 8-8,7 mm (5/16") 10-10,7 mm (3/8")	80 kg	Min. 700 mm	5x

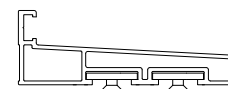
FIXING WALL / FIXARE PERETE



ART. 122



ART. 1652



ART. 1770

SEAL / GARNITURA

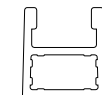


ART. 324
KIT=10 mt



ART. 266
KIT=10 mt

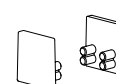
TRACKS / SINE



ART. 1738
(8 mm - 5/16")



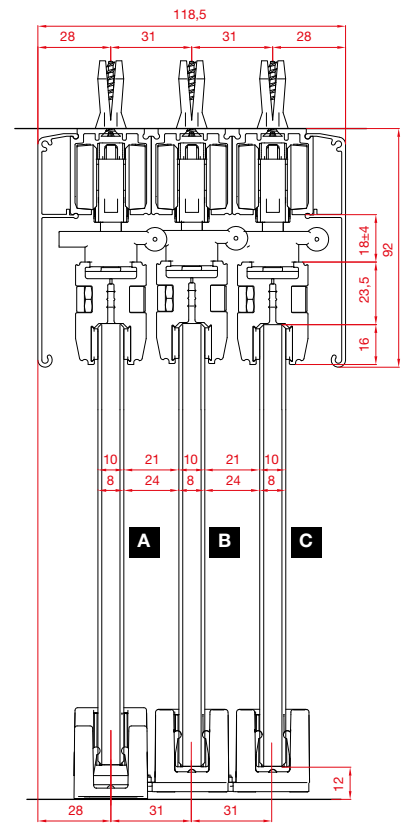
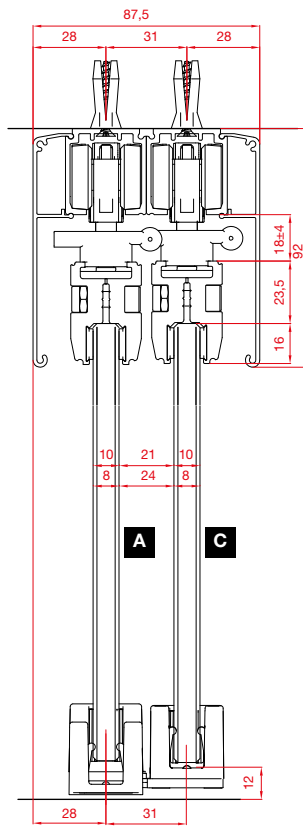
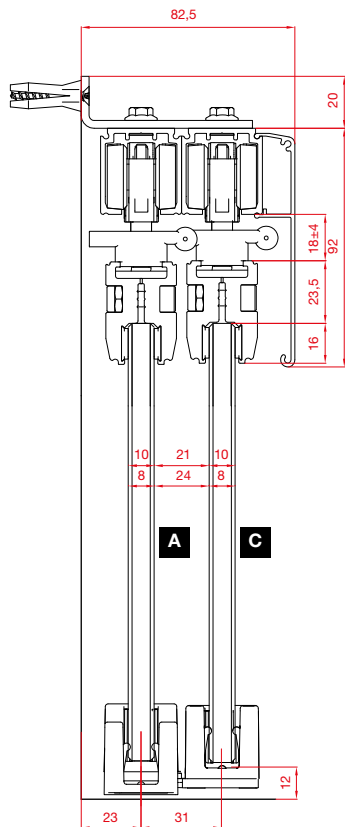
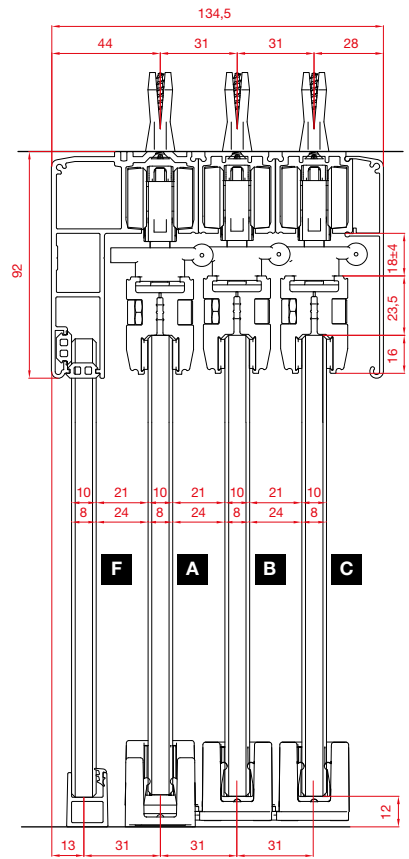
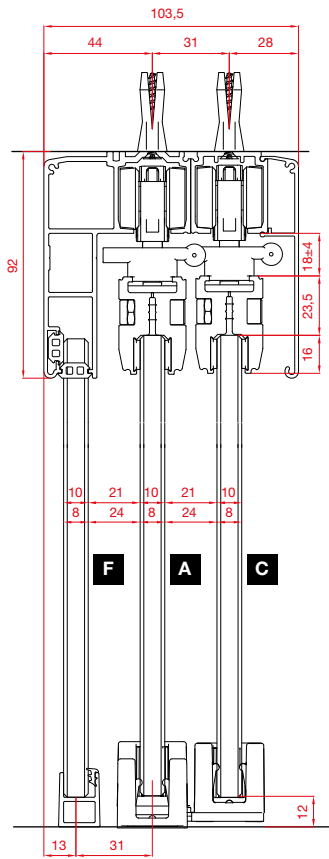
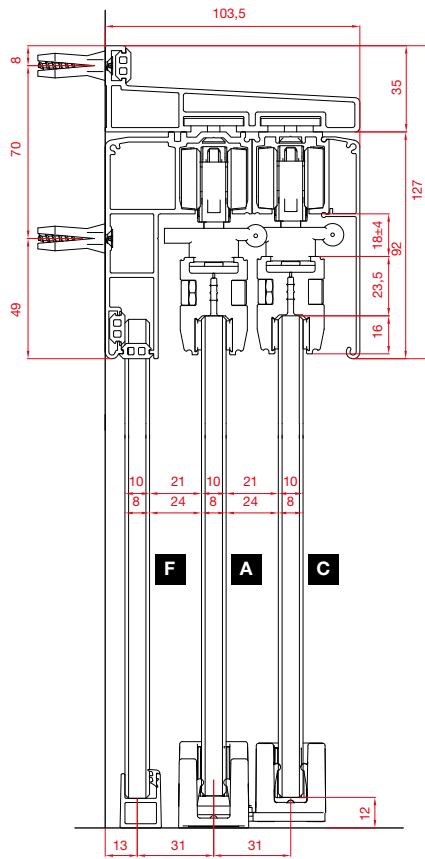
ART. 1740
(10 mm - 3/8")



OPTIONAL
ART. 1735
(End Caps / Capace laterale)

MEASUREMENTS DESCRIPTION / DESCRIERE MASURATORI

FLUID





Terno Scorrevoli S.p.A.

**Via Ravenna, 4 - 20814 Varedo (MB) ITALY
Phone +39 0362 543001 - Fax +39 0362 582290**

**terno@ternoscorrevoli.com
www.ternoscorrevoli.com**