



# AluFrames

Aluminium rails for counterframes  
Sine din aluminiu pentru contracadre



# AluFrames

PATENTED

**AluFrames** is a system of concealed tracks, designed for the installation of wall-pocket doors without counterframe.

**AluFrames** este un sistem de sine ascunse, conceput pentru instalarea usilor culisante de perete fara contracadru.



## An easy and versatile system

**AluFrames** system for wooden doors is available in combination with **Evolution** series (concealed bracket sliding system) and **Classic** series (standard bracket sliding system). **AluFrames** system for glass doors is available in combination with clamps series **Vetro 24** (24 mm height glass clamps with glass drilling requirements) and **Vetro 40** (40 mm height glass clamps without any drilling requirements).

The system has a maximum load **capacity of 80 kg**.

The **AluFrames** system is **extremely easy to install and also easy to be inspected** (because the door is very easy to be dismounted without breaking the plasterboard): the magnetic **Push Magnetic** system allows to combine the soft closing function and at the same time facilitates opening when the door is completely open.

## Un sistem usor si versatil





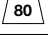
Sistemul **AluFrames** pentru usi din lemn este disponibil in combinatie cu seria **Evolution** (sistem de culisare cu suport ascuns) si seria **Classic** (sistem standard de culisare cu suport). Sistemul **AluFrames** pentru usi din sticla este disponibil in combinatie cu clemele din seria **Vetro 24** (cleme din sticla cu inaltimea de 24 mm, cu cerinta de perforare a sticlei) si **Vetro 40** (cleme din sticla cu inaltimea de 40 mm, fara nicio cerinta de perforare a sticlei).

Sistemul are o **capacitate** maxima de incarcare **de 80 kg**.

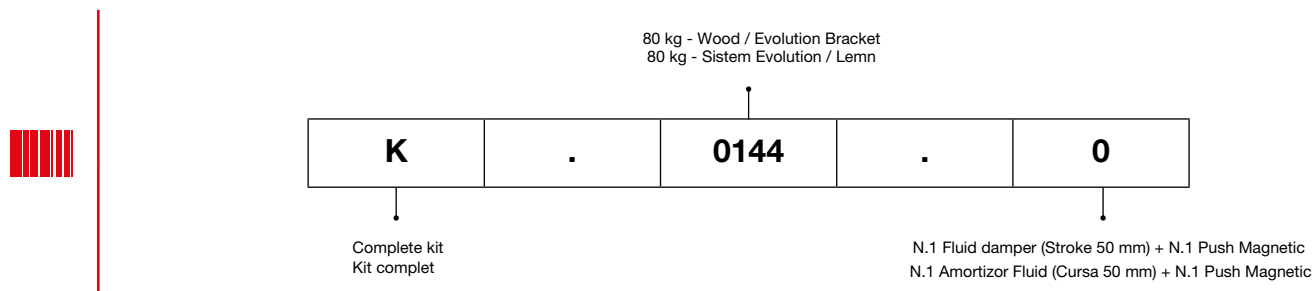
Sistemul **AluFrames** este un sistem extrem de usor de instalat si de asemenea usor de inspectat (deoarece usa este foarte usor de demontat fara a sparge placile de rigips): sistemul magnetic **Push Magnetic** permite combinarea functiei de inchidere lina si, in acelasi timp faciliteaza deschiderea atunci cand usa este complet deschisa.





<b>AluFrames</b>		COMPLETE BOX KIT / KIT CUTIE COMPLET		
<b>K</b>	Complete kit / Kit complet			
<b>B</b>	Complete blister /Blister complet			
		<b>0143</b>	 Slides & counterframes kit - <b>Wood - Classic</b> Bracket Glisiere & Kit pentru contracadre- Suport <b>Classic - Lemn</b>	
		<b>0144</b>	 Slides & counterframes kit - <b>Wood - Evolution</b> Bracket Glisiere & Kit pentru contracadre- Suport <b>Evolution - Lemn</b>	
		<b>0146</b>	 Glass thickness <b>8-8,7 mm (5/16") /10-10,7 mm (3/8") / 12-12,7 mm (1/2")</b> Grosime sticla <b>8-8,7 mm (5/16") /10-10,7 mm (3/8") / 12-12,7 mm (1/2")</b>	
		<b>0147</b>	 Counterframes kit (Pocket) - <b>Evolution • Vetro 24 • Vetro 40</b> Kit pentru contracadre (Pocket) - <b>Evolution • Vetro 24 • Vetro 40</b>	
			<b>0</b> N.1 Fluid damper (Stroke 50 mm) + N.1 Push Magnetic N.1 Amortizor Fluid (Cursa 50 mm) + N.1 Push Magnetic	
		<b>A</b>	<b>ART. 3340</b> Track / Sina	
		<b>B</b>	<b>ART. 3300</b> Track / Sina	
		<b>C</b>	<b>ART. 3310</b> Track / Sina	
		<b>D</b>	<b>ART. 3320</b> Track / Sina	

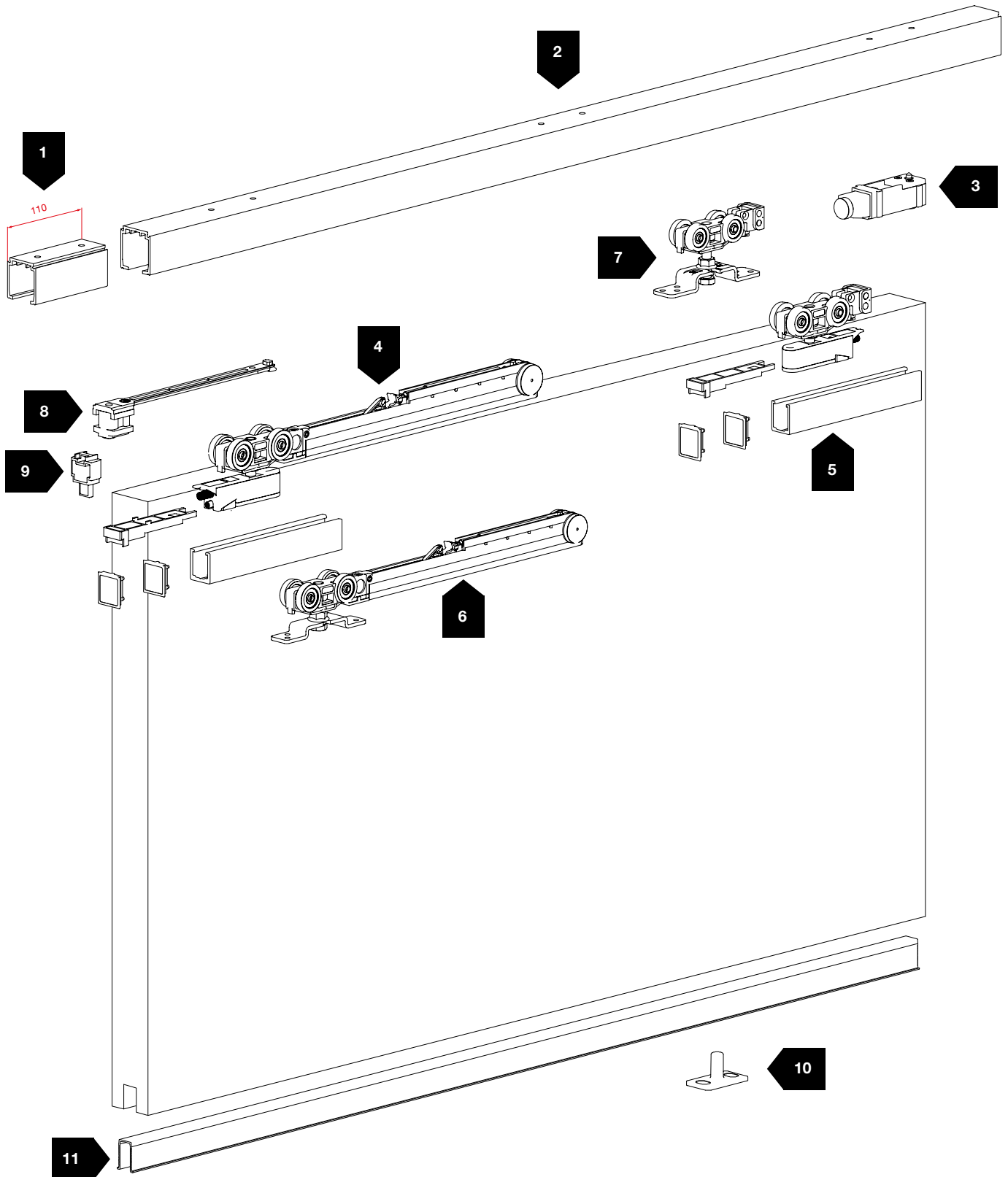
## EXAMPLE / EXEMPLU




<b>Tracks / Sine</b>		ALUMINUM FINISHES CODES / CODURI FINISAJE ALUMINIU		
<b>CODE / COD</b>		<b>FINISH COLOR / CULORI FINISAJE</b>		
<b>8 00 0.0</b> .....	 <b>00 G</b>	Row - Mill Finish / Neutru - Finisaj Brut	<b>STANDARD</b>	
<b>8 01 0.0</b> .....	 <b>01 A</b>	Anodized Silver / Argint anodizat		

<b>Tracks / Sine</b>		PLASTIC FINISHES CODES / CODURI FINISAJE PLASTIC		
<b>CODE / COD</b>		<b>FINISH COLOR / CULORI FINISAJE</b>		
<b>8 14 0.0</b> .....	 <b>14 N</b>	Anodized Black / Negru anodizat	<b>STANDARD</b>	
<b>8 23 0.0</b> .....	 <b>23 GR</b>	Gray / Gri		

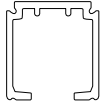
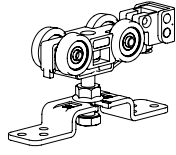
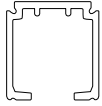
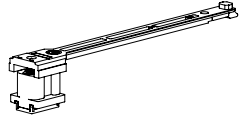

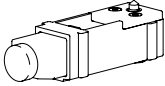
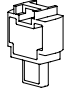
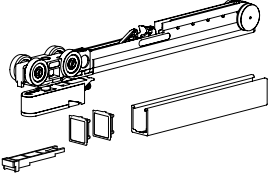


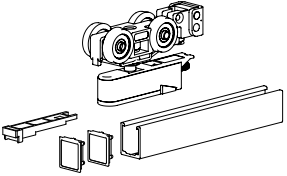

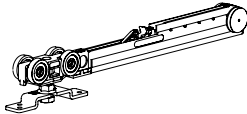

<b>Accessories / Accesorii</b>		PLASTIC FINISHES CODES / CODURI FINISAJE PLASTIC	
<b>CODE / COD</b>		<b>FINISH COLOR / CULORI FINISAJE</b>	
<b>8 23 0.0</b> .....	 <b>23 GR</b>	Gray / Gri	<b>STANDARD</b>



  
600 - 1500 mm

  
80 kg

  
6 mm

N°			kg		N°			kg	
1	1280/80/F		—		7	2301/C		80	
2	1280 8 00 0.01280 8 01 0.01280		—		8	3387		80	
3	106/80/G		80		9	3347		—	
4	3390		80		10	3302		80	
5	2301/E		80		11	121 8 14 0.00121 8 23 0.00121		80	
6	3396		80						

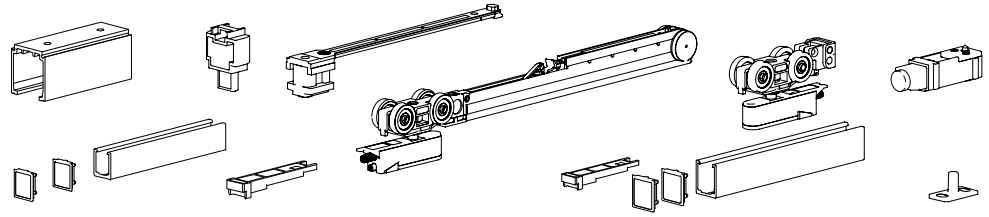
FLUID

50 mm

N.1 Fluid damper  
N.1 Amortizor Fluid

Bumper / Opritor  
Push Magnetic

Ball bearings  
Rulmenti cu bile



OLD CODE	NEW CODE				
-	K.0144.0	EVOLUTION	Min. 600 mm	80 kg	4x

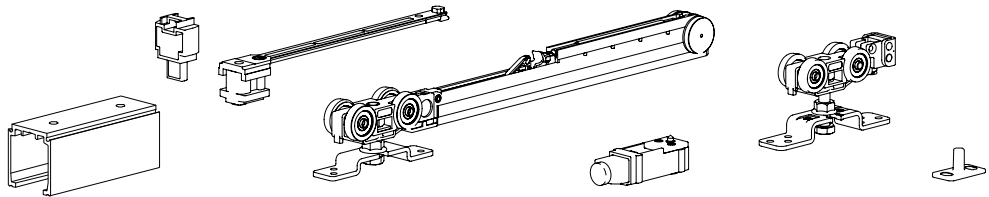
FLUID

50 mm

N.1 Fluid damper  
N.1 Amortizor Fluid

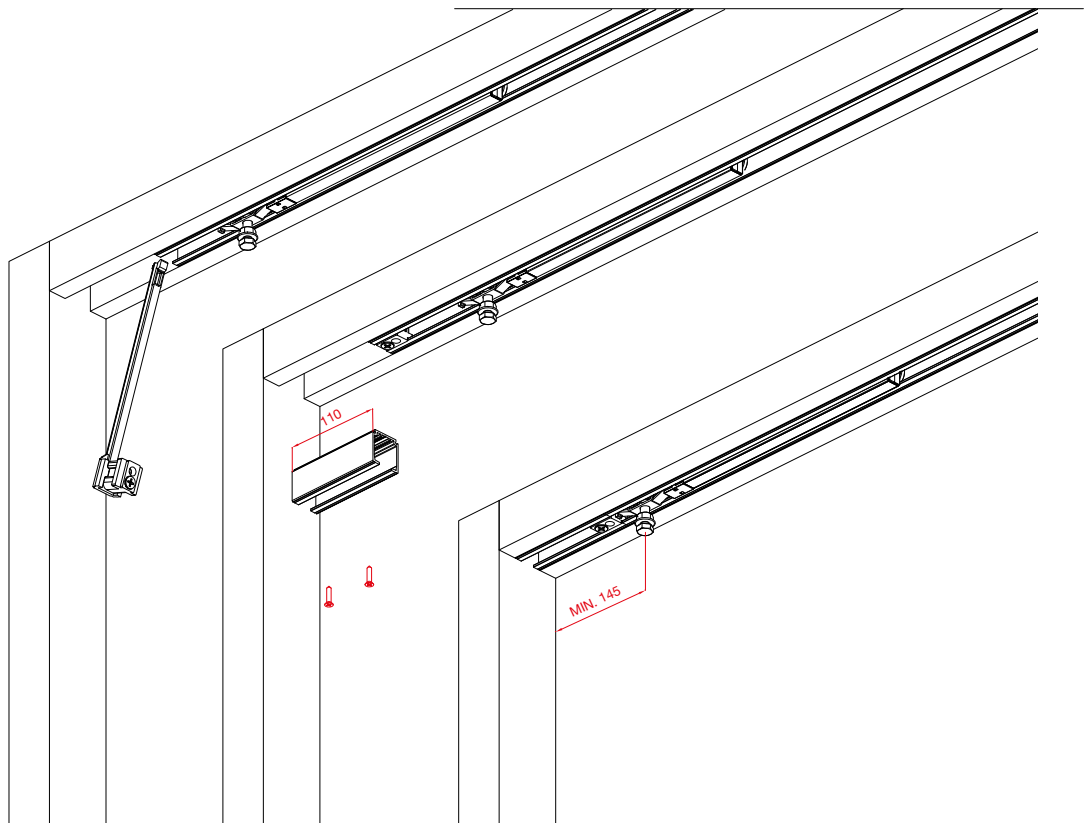
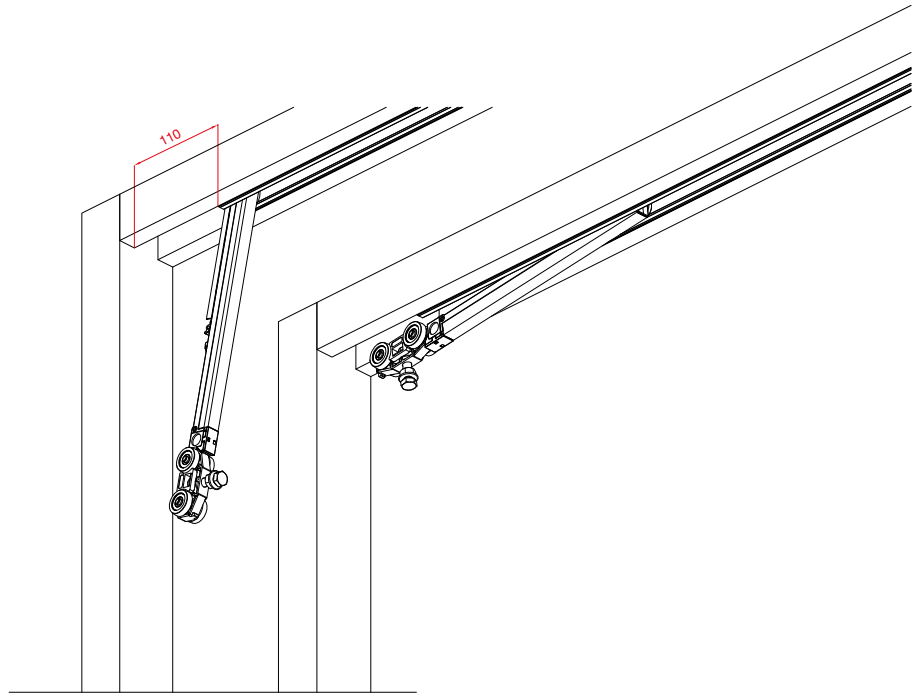
Bumper / Opritor  
Push Magnetic

Ball bearings  
Rulmenti cu bile

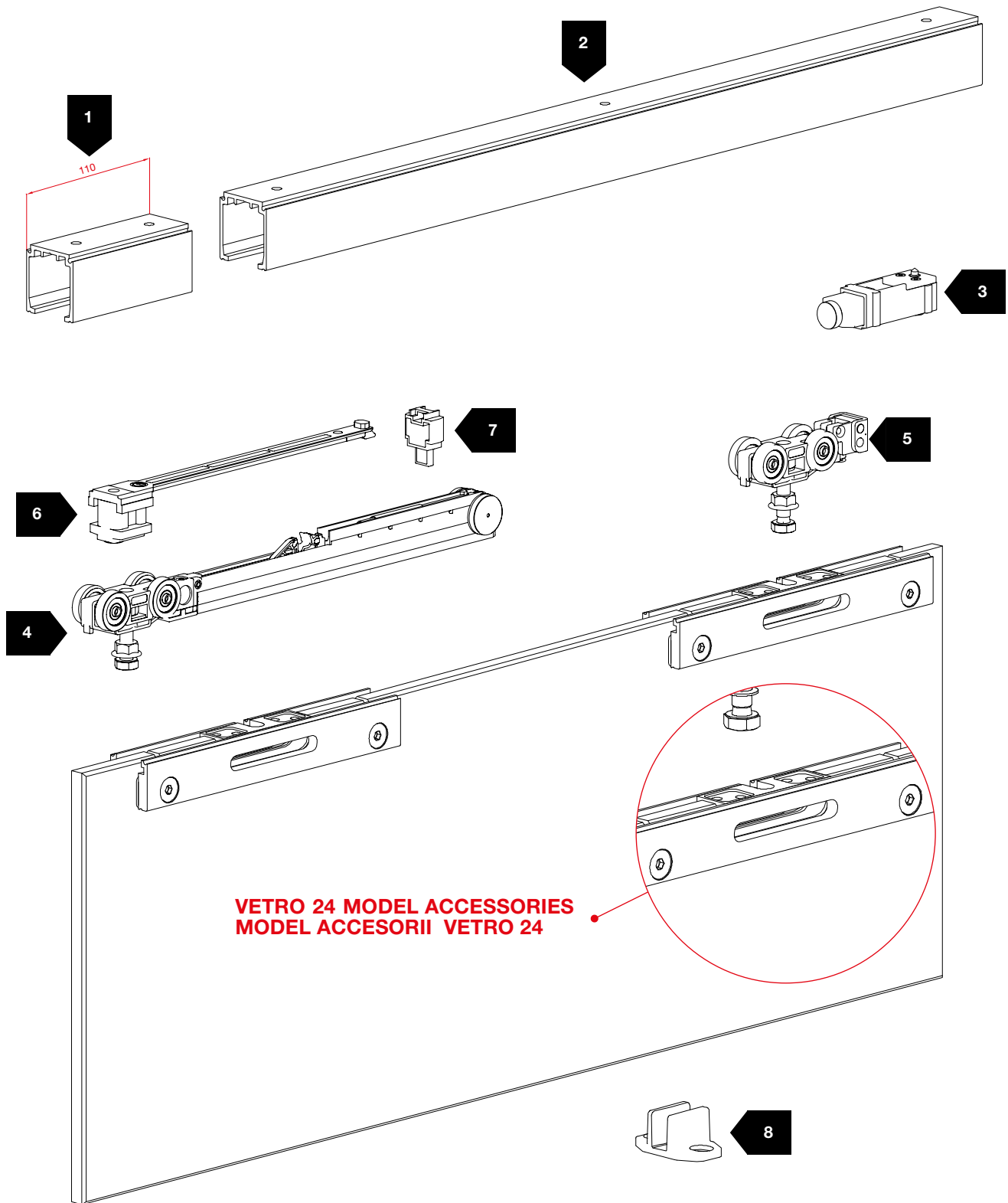


OLD CODE	NEW CODE				
-	K.0143.0	CLASSIC	Min. 600 mm	80 kg	4x

ALUMINIUM RAIL FOR COUNTERFRAMES / SINA DE ALUMINIU PENTRU CONTRACADRE



FLUID DAMPER / AMORTIZOR FLUID



600 ÷ 1500 mm

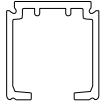
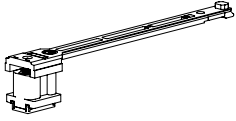

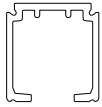
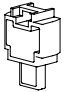
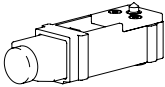
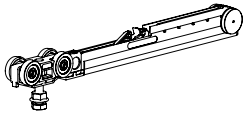

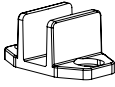
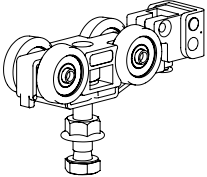


80 kg



10 mm



N°			kg		N°			kg	
1	1280/80/F		—		6	3387		80	 <b>NEW</b>
2	1280 8 00 0.01280 8 01 0.01280		—		7	3347		—	
3	106/80/G		80		8	118		80	Glass thk. Grosime sticla 8-8,7 mm (5/16")
4	3397		80	 <b>NEW</b>	8	110		80	Glass thk. Grosime sticla 10-10,7 mm (3/8")
5	2401/V24		80		8	112		80	Glass thk. Grosime sticla 12-12,7 mm (1/2")

# AluFrames

Rails for counterframes  
Sine pentru contracadre

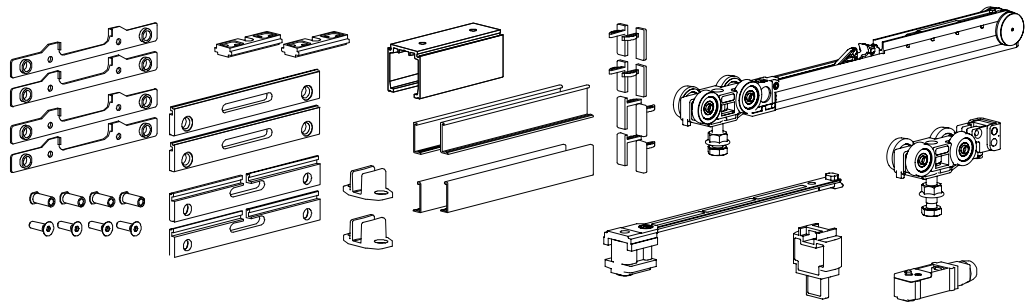
FLUID

50 mm

N.1 Fluid damper  
N.1 Amortizor Fluid

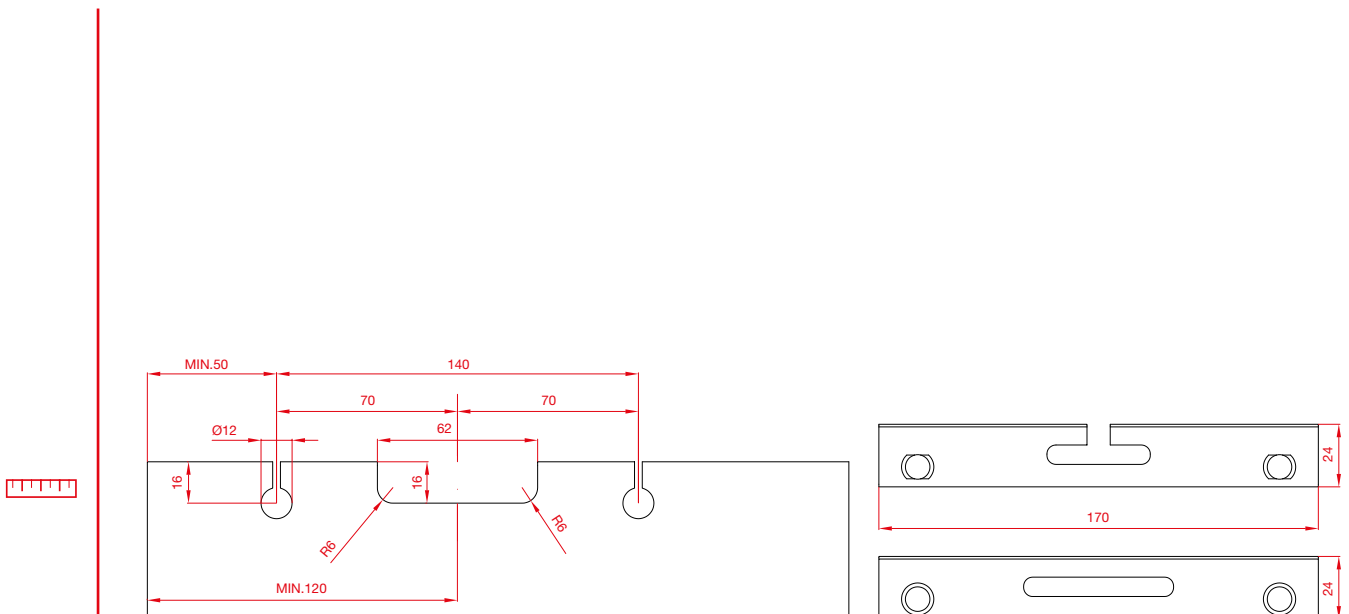
FLUID

Ball bearings  
Rulmenti cu bile

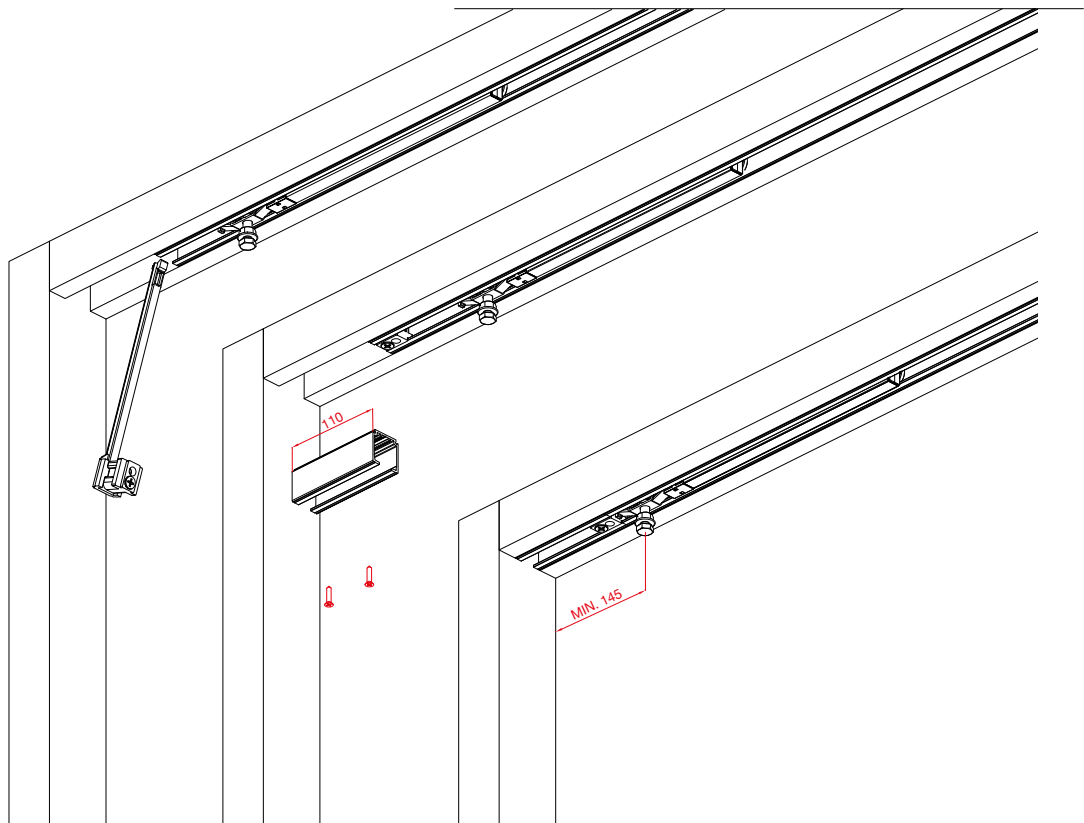
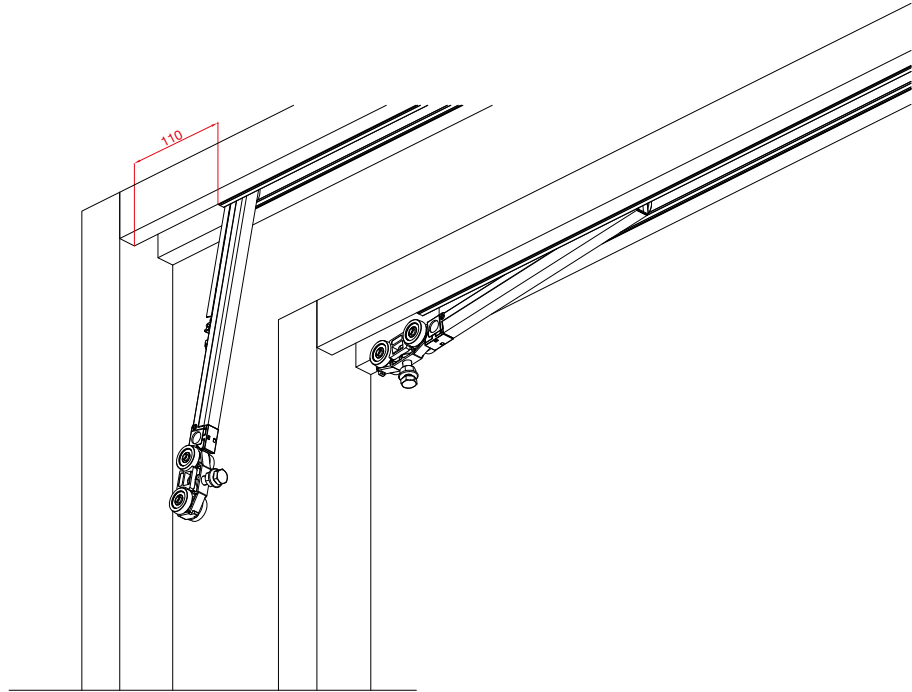


OLD CODE	NEW CODE			
-	K.0146.0	Min. 600 mm	80 kg	4x

## MEASUREMENTS DESCRIPTION / DESCRIERE MASURATORI



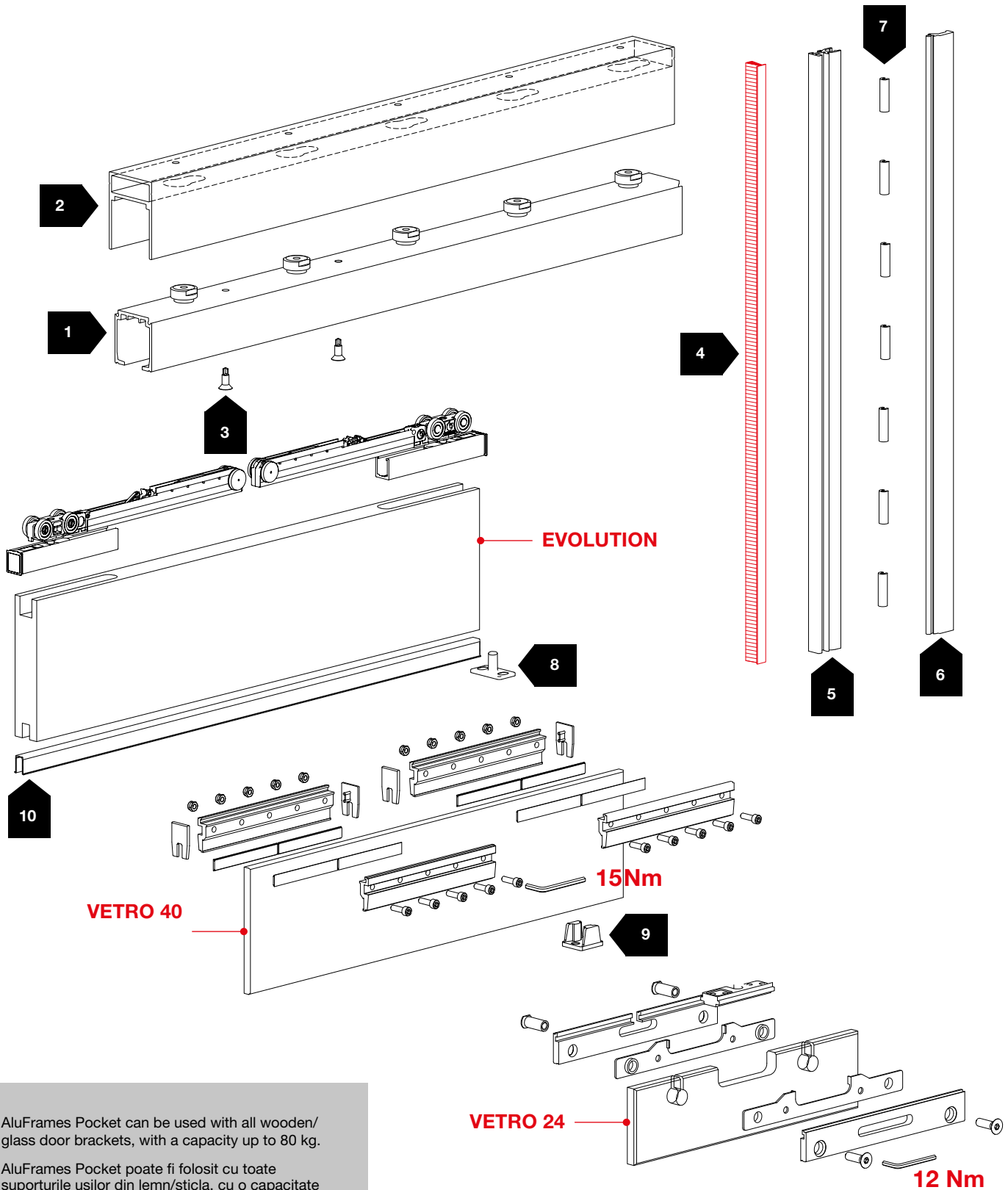
ALUMINIUM RAIL FOR COUNTERFRAMES / SINA DE ALUMINIU PENTRU CONTRACADRE



FLUID DAMPER / AMORTIZOR FLUID

# AluFrames Pocket

Rails for counterframes  
Sine pentru contracadre



AluFrames Pocket can be used with all wooden/  
glass door brackets, with a capacity up to 80 kg.

AluFrames Pocket poate fi folosit cu toate  
suporturile usilor din lemn/sticla, cu o capacitate  
de pana la 80 kg.



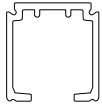

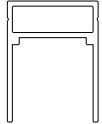

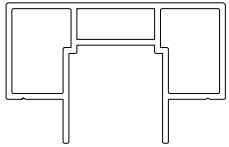
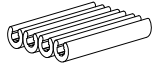
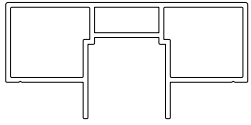

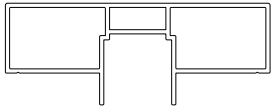
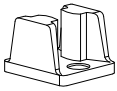

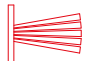

Max 1250 mm



80 kg



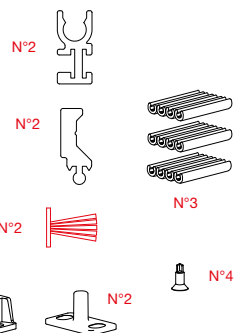
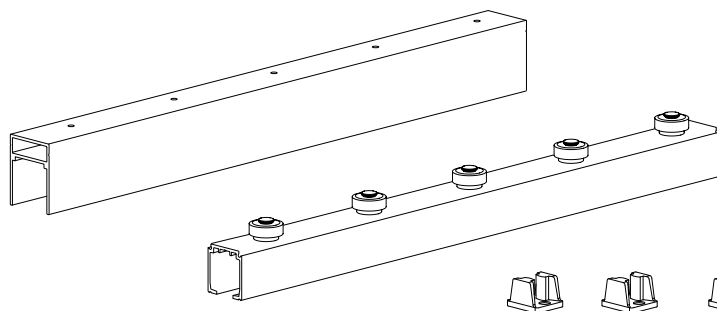
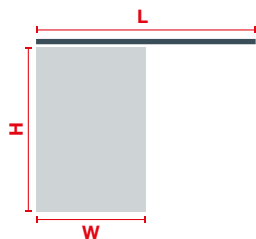
6 mm

N°			kg		N°			kg	
1	1280		-		5	199		-	
2	3340		-		6	198		-	
	3300		-		7	1222		-	
	3310		-		8	3302		80	
	3320		-		9	3308/8		80	Glass thk. Grosime sticla 8-8,7 mm 5/16"
3	3306		80			3308/10		80	Glass thk. Grosime sticla 10-10,7 mm 3/8"
					3308/12	80	Glass thk. Grosime sticla 12-12,7 mm 1/2"		
4	543/11/G		-		10	121 8 14 0.00121 8 23 0.00121		80	

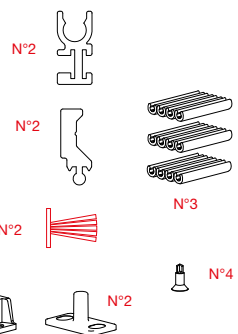
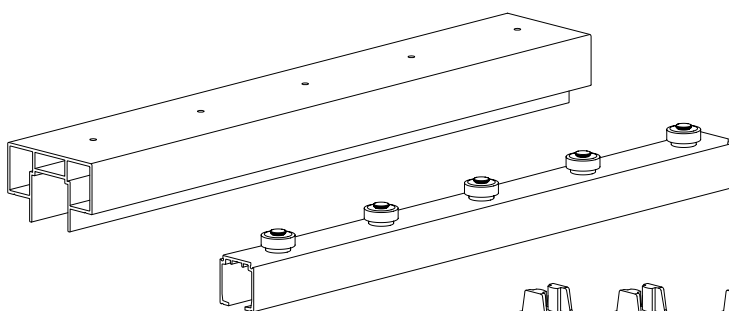
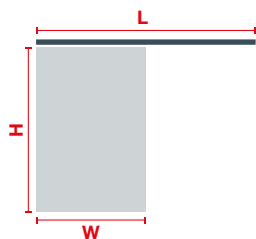
# AluFrames Pocket

Rails for counterframes

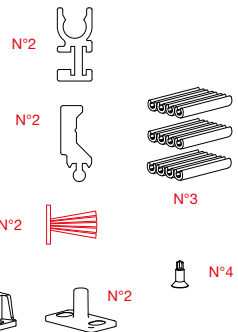
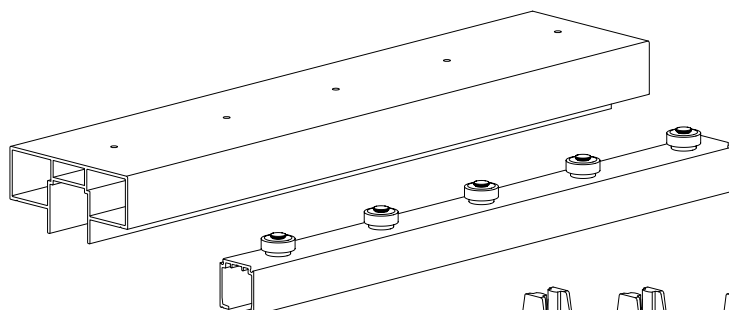
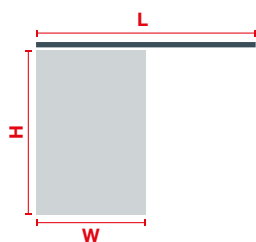
Sine pentru contracadre



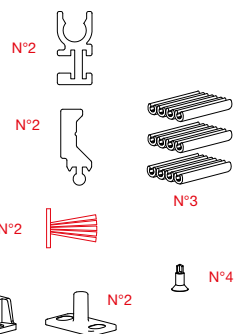
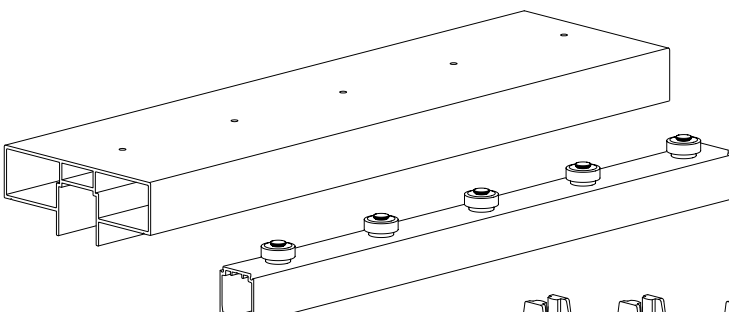
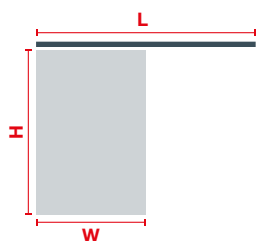
OLD CODE	NEW CODE	W	L	H		
POCKET/250/3340	B.0147.A	Max 1250 mm	Max 2500 mm	Max 2200 mm	80 kg	1x



OLD CODE	NEW CODE	W	L	H		
POCKET/250/3300	B.0147.B	Max 1250 mm	Max 2500 mm	Max 2200 mm	80 kg	1x



OLD CODE	NEW CODE	W	L	H		
POCKET/250/3310	B.0147.C	Max 1250 mm	Max 2500 mm	Max 2200 mm	80 kg	1x



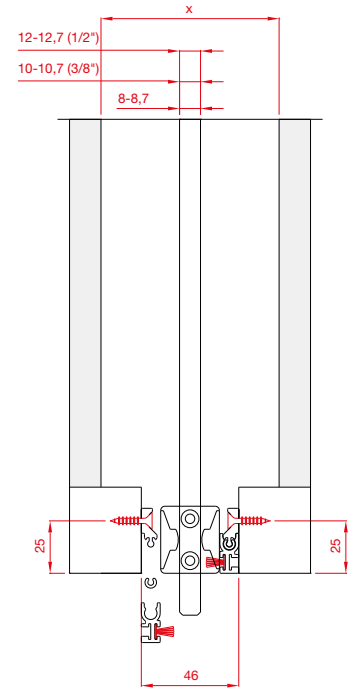
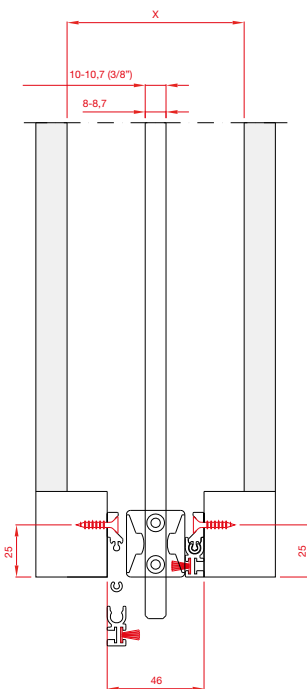
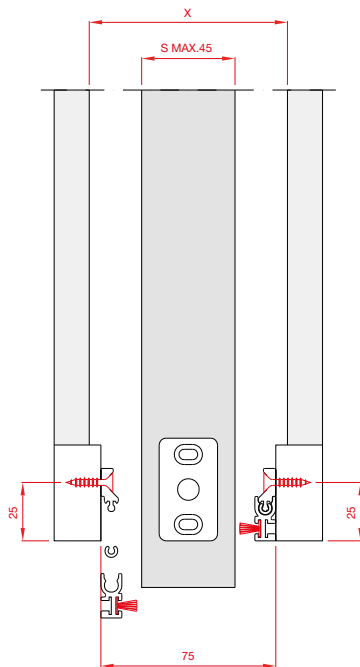
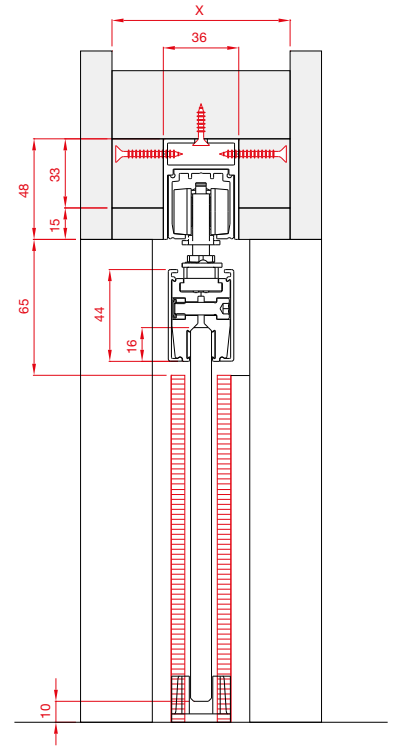
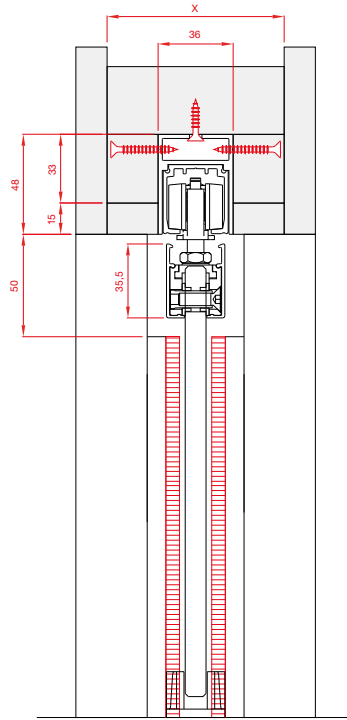
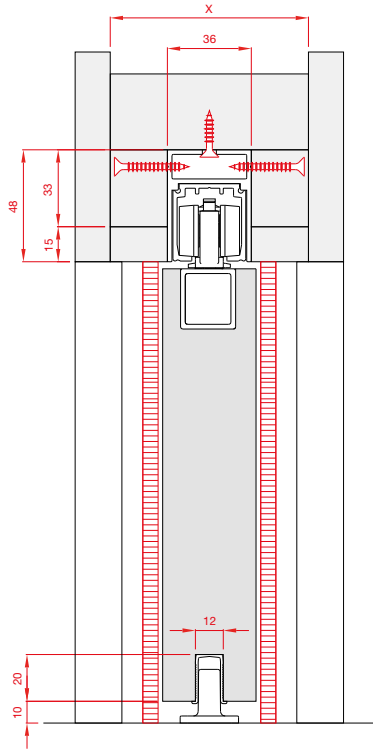
OLD CODE	NEW CODE	W	L	H		
POCKET/250/3320	B.0147.D	Max 1250 mm	Max 2500 mm	Max 2200 mm	80 kg	1x



AVAILABLE ON REQUEST L = 2000 mm E L = 3000 mm  
DISPONIBIL LA CERERE L = 2000 mm E L = 3000 mm



ART. 3340 - MEASUREMENTS / MASURATORI



**EVOLUTION**  
(WOOD / LEMN)

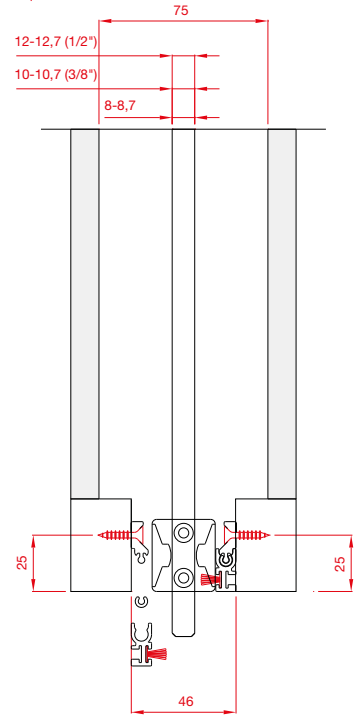
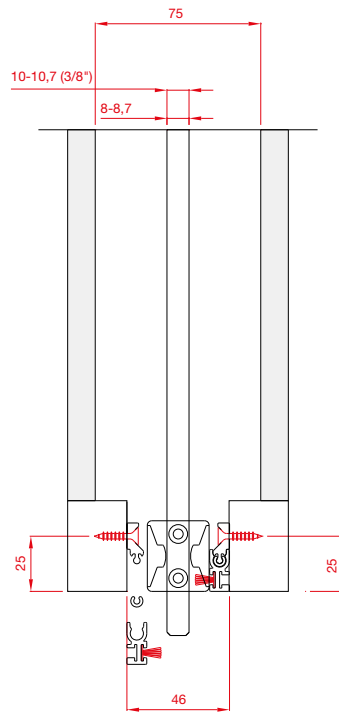
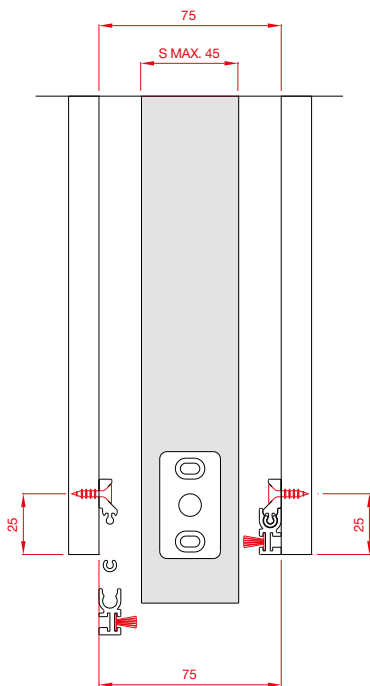
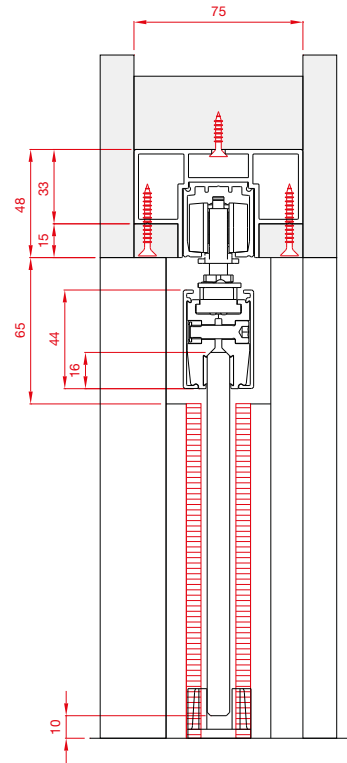
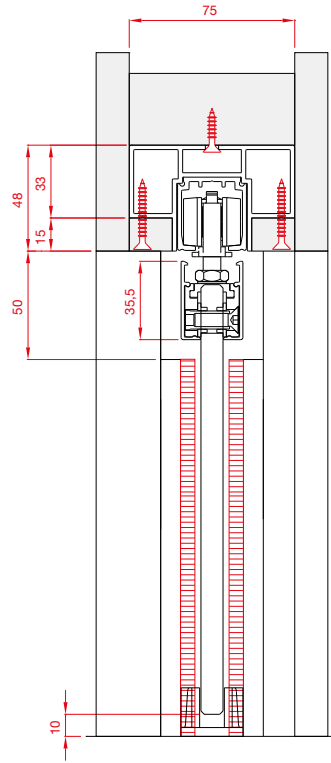
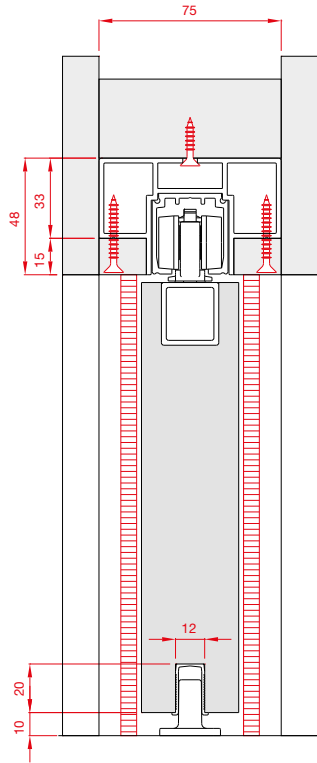
**VETRO 40**  
(GLASS / STICLA)

**VETRO 24**  
(GLASS / STICLA)

# AluFrames Pocket

Rails for counterframes  
Sine pentru contracadre

## ART. 3300 - MEASUREMENTS / MASURATORI

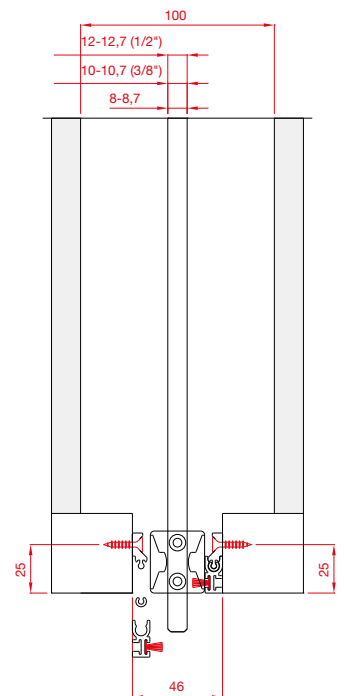
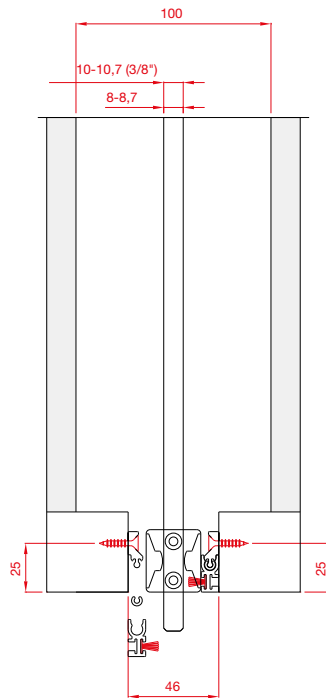
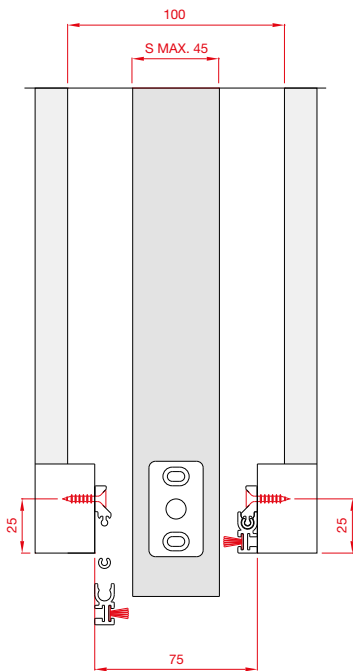
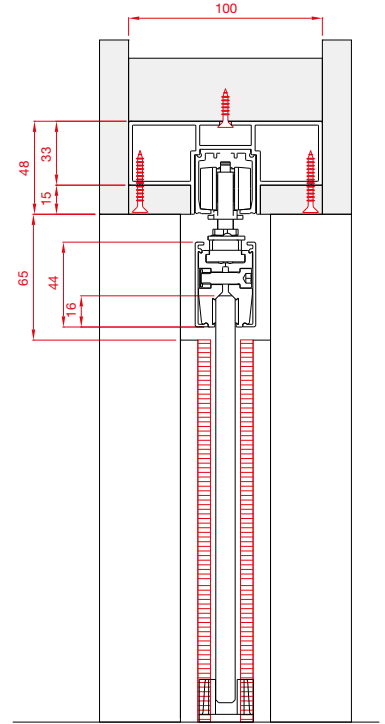
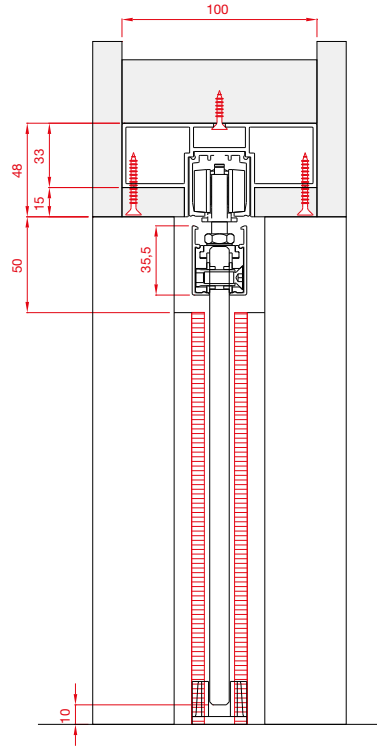
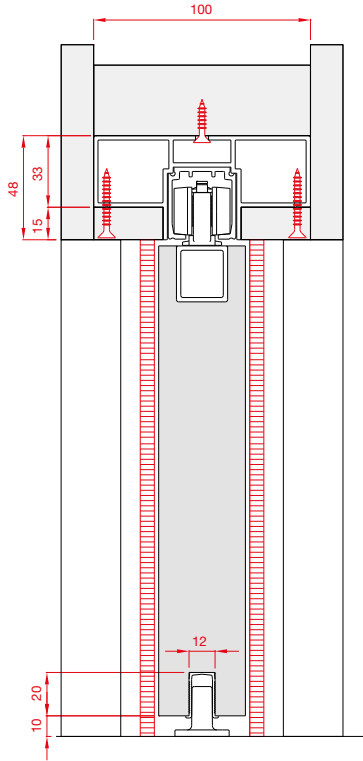


**EVOLUTION**  
(WOOD / LEMN)

**VETRO 40**  
(GLASS / STICLA)

**VETRO 24**  
(GLASS / STICLA)

ART. 3310 - MEASUREMENTS / MASURATORI



**EVOLUTION**  
(WOOD / LEMN)

**VETRO 40**  
(GLASS / STICLA)

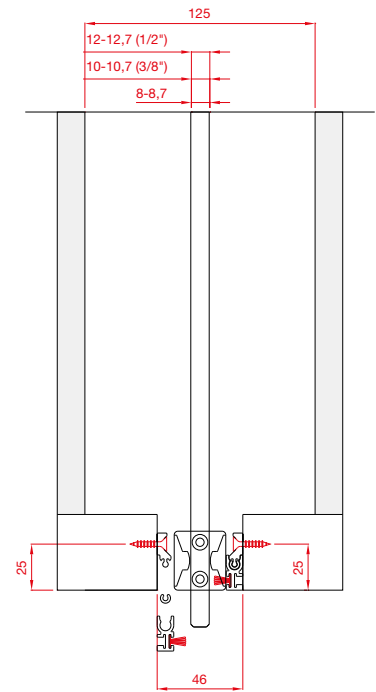
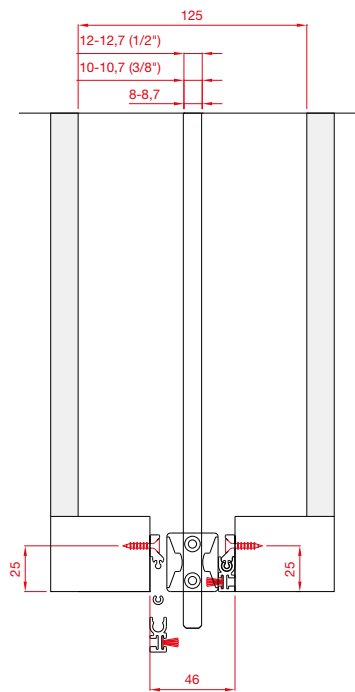
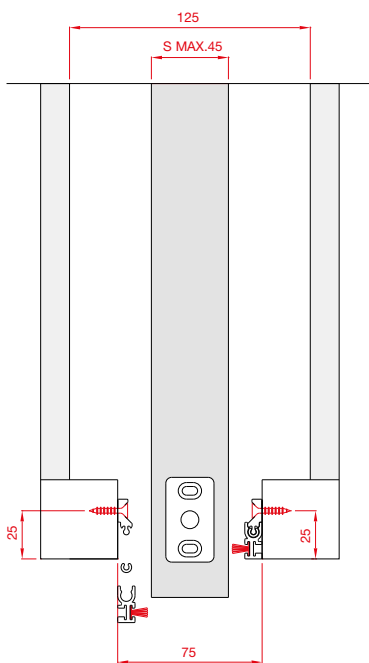
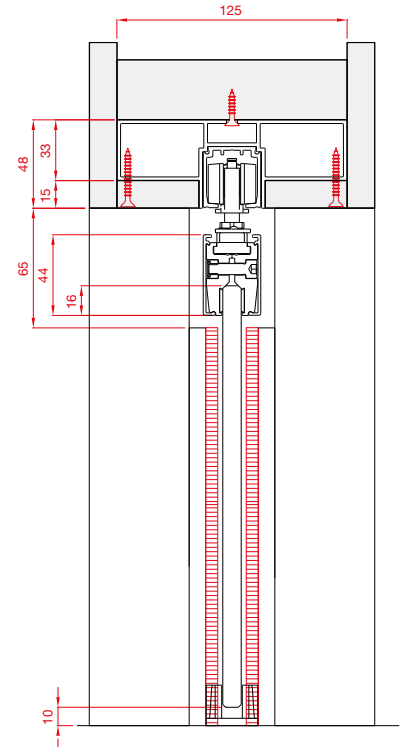
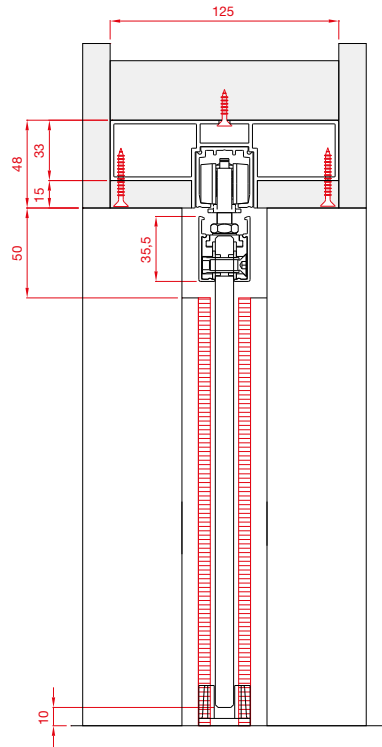
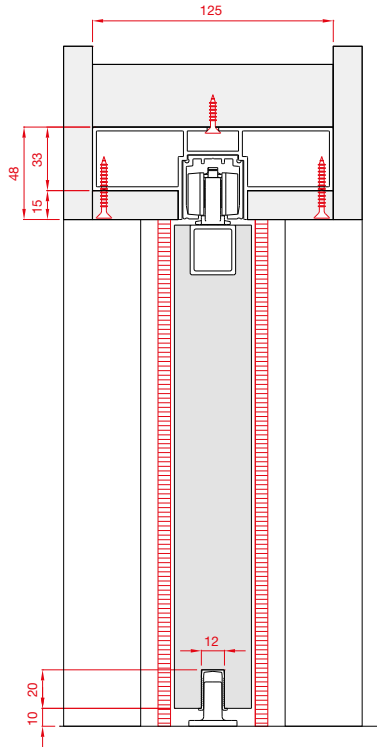
**VETRO 24**  
(GLASS / STICLA)

# AluFrames Pocket

Rails for counterframes

Sine pentru contracadre

## ART. 3320 - MEASUREMENTS / MASURATORI



**EVOLUTION**  
(WOOD / LEMN)

**VETRO 40**  
(GLASS / STICLA)

**VETRO 24**  
(GLASS / STICLA)



## **Terno Scorrevoli S.p.A.**

**Via Ravenna, 4 - 20814 Varedo (MB) ITALY  
Phone +39 0362 543001 - Fax +39 0362 582290**

**[terno@ternoscorrevoli.com](mailto:terno@ternoscorrevoli.com)  
[www.ternoscorrevoli.com](http://www.ternoscorrevoli.com)**