



# Solo Vetro

---

Concealed sliding elements integrated into the aluminium sliding tracks  
Elemente de culisare ascunse integrate in sinele de alunecare din aluminiu



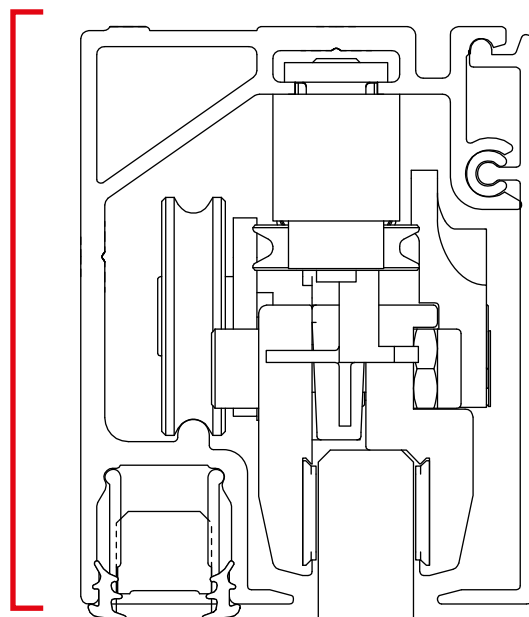
# Solo Vetro

Concealed sliding elements integrated into the aluminium sliding tracks.

Elemente de culisare ascunse integrate in sinele de alunecare din aluminiu.







## Concealed sliding clamps

**Solo Vetro** is a sliding system with profile integrated sliding clamps, dedicated to frameless glass doors.

**Sliding clamps** are **totally concealed from aluminium profiles**, in order to grant a better aesthetic result.

The system has been designed to allow configurations of **single and double doors, with synchronized motion**.

**Solo Vetro** is suitable to monolithic and laminated glasses.

## Cleme culisante ascunse

**Solo Vetro** este un sistem de culisare cu cleme culisante integrate cu profil, special pentru usile din sticla fara rama.

**Clemele culisante** sunt **total ascunse de profilele de aluminiu**, pentru a oferi un rezultat estetic mai bun.

Sistemul a fost conceput pentru a permite configuratii de **usi simple si duble, cu miscare sincronizata**.

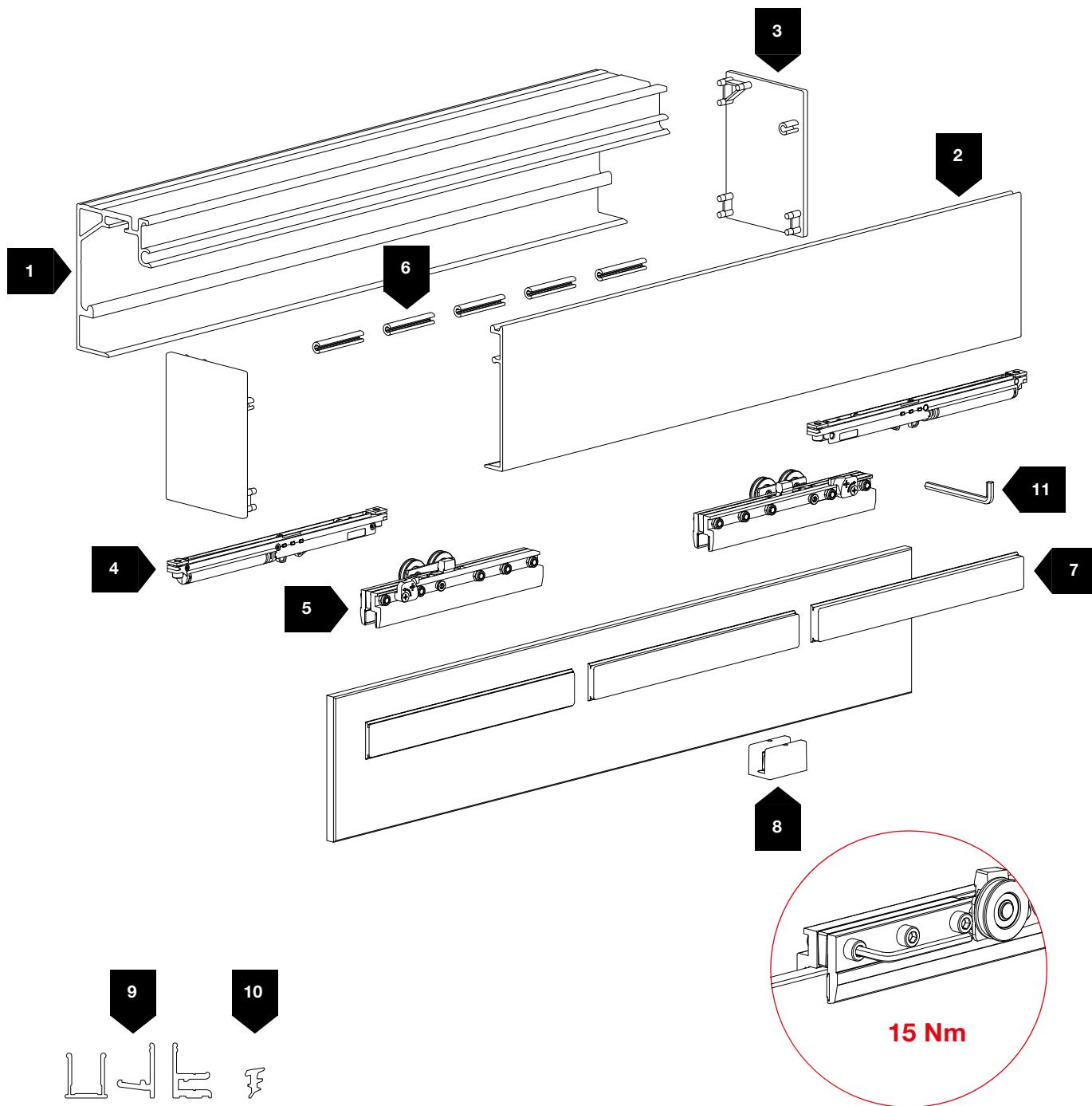
**Solo Vetro** este compatibil cu usi din sticla monolitica si laminata.

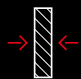




# Solo Vetro

Concealed sliding elements integrated into the aluminium sliding tracks  
Elemente de culisare ascunse integrate in sinele de alunecare din aluminiu



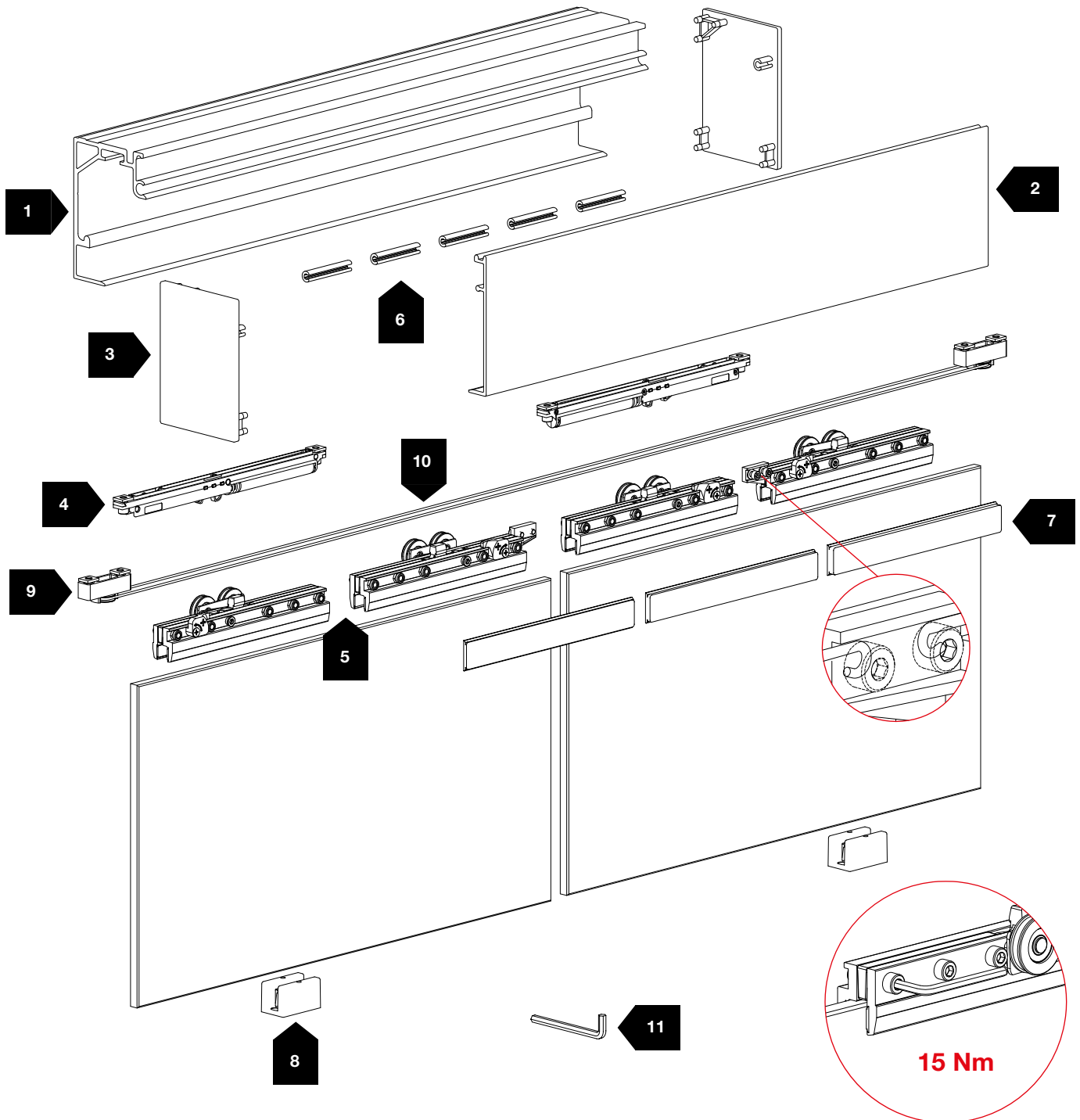
  
8-8,7 ÷ 12-12,7 mm

  
80 kg

  
N° 1 door / N° 1 usa

N°	Barcode		kg		N°	Barcode		kg		
1	2710 8 02 0.02710		-		8	1483		80	Glass thk. Grosime sticla 8-8,7 mm ÷ 12-12,7 mm (5/16"÷1/2")	
	2720 8 02 0.02720		-			1489/8		80	Glass thk. Grosime sticla 8-8,7 mm (5/16") <b>OPTIONAL +</b>	
2	2730 8 02 0.02730		-			1489/10		80	Glass thk. Grosime sticla 10-10,7 mm (3/8") <b>OPTIONAL +</b>	
3	2716		-			1489/12		80	Glass thk. Grosime sticla 12-12,7 mm (1/2") <b>OPTIONAL +</b>	
	2718		-			9	2740 8 01 0.02740		-	
4	2061		80				1776 8 01 0.01776		-	
5	2700/2		80				1774 8 01 2.01774		-	
6	1222		-			10	328		-	Glass thk. Grosime sticla 8-8,7 mm (5/16")
7	1707		-	Glass thk. Grosime sticla 8-8,7 mm (5/16")	326			-	Glass thk. Grosime sticla 10-10,7 mm (3/8")	
	1704		-	Glass thk. Grosime sticla 10-10,7 mm (3/8")	324			-	Glass thk. Grosime sticla 12-12,7 mm (1/2")	
	1705		-	Glass thk. Grosime sticla 12-12,7 mm (1/2")	11	2088		-		

## SYNC SIMULTANEOUS OPENING / DESCHIDERE SIMULTANA



8-8,7 ÷ 12-12,7 mm

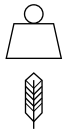


80 kg



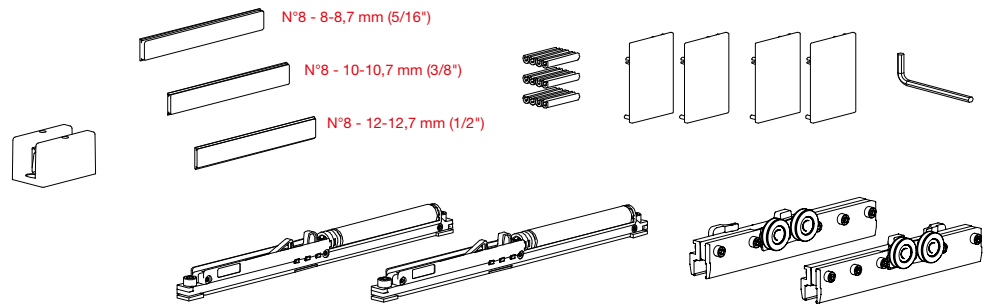
Simultaneous opening / Deschidere simultana

N°	Barcode	Image	kg		N°	Barcode	Image	kg	
1	2710 8 02 0 .02710		-		7	1707		-	Glass thk. Grosime sticla 8-8,7 mm (5/16")
	2720 8 02 0 .02720		-			1704		-	Glass thk. Grosime sticla 10-10,7 mm (3/8")
2	2730 8 02 0 .02730		-			1705		-	Glass thk. Grosime sticla 12-12,7 mm (1/2")
	3	2716		-	8	1483		80	Glass thk. Grosime sticla 8-8,7 mm ÷ 12-12,7 mm (5/16"÷1/2")
2718			-	1489/8			80	Glass thk. Grosime sticla 8-8,7 mm (5/16") <b>OPTIONAL +</b>	
2061			80	1489/10			80	Glass thk. Grosime sticla 10-10,7 mm (3/8") <b>OPTIONAL +</b>	
4	2700/2		80	1489/12			80	Glass thk. Grosime sticla 12-12,7 mm (1/2") <b>OPTIONAL +</b>	
	2702/2		80	9		2714		-	
5	1222		-			10	88		-
	6				11		2088		-

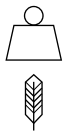


80 kg

N.2 Soft damper stoppers  
N.2 Opritoare cu amortizare



OLD CODE	NEW CODE	
2700/2/2061/A	K.0272.5	4x



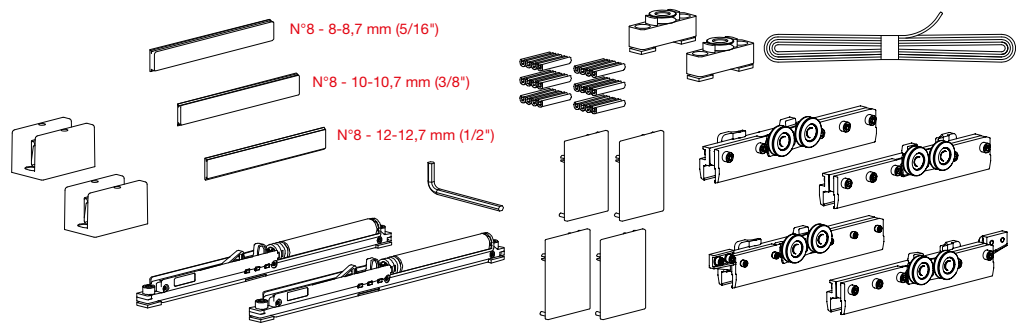
80 kg

N.2 Soft damper stoppers  
N.2 Opritoare cu amortizare

**SYNC**

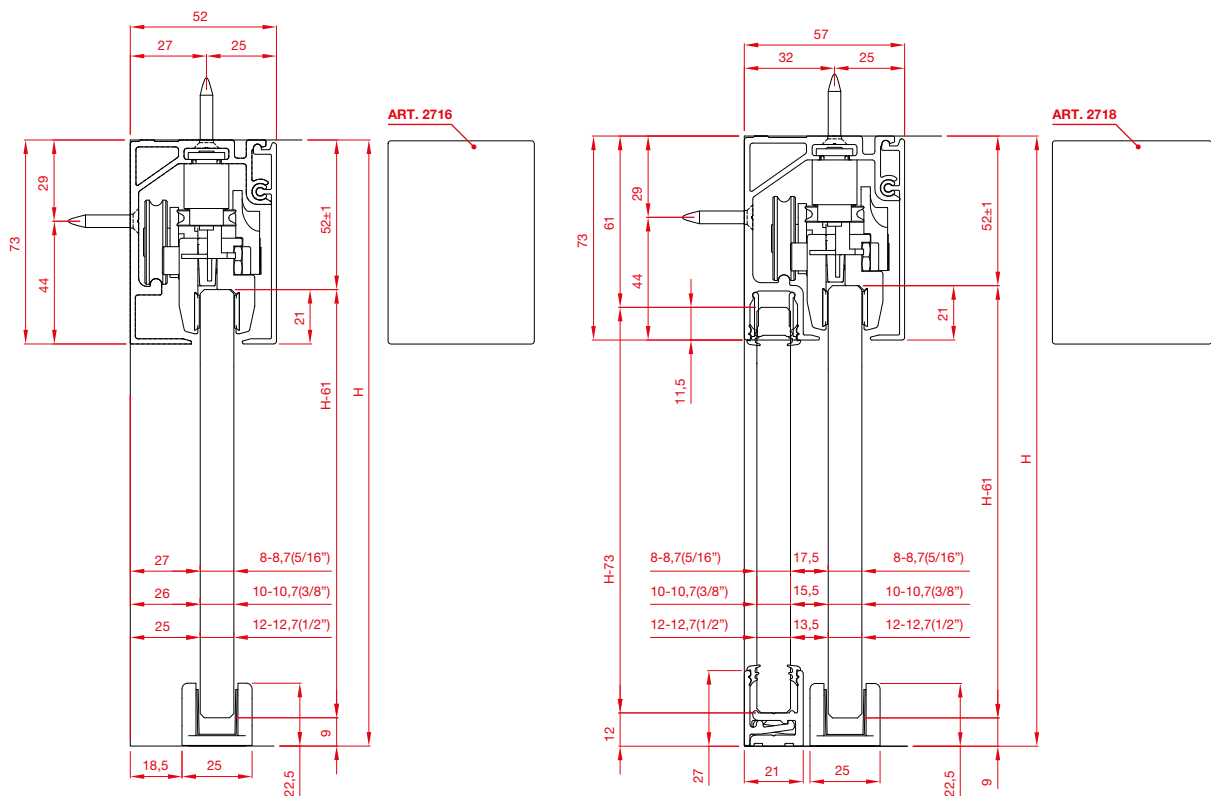


Simultaneous opening  
Deschidere simultana



OLD CODE	NEW CODE	
2702/2/2714/A	K.0271.5	4x

**MEASUREMENTS DESCRIPTION / DESCRIERE MASURATORI**





## **Terno Scorrevoli S.p.A.**

**Via Ravenna, 4 - 20814 Varedo (MB) ITALY  
Phone +39 0362 543001 - Fax +39 0362 582290**

**[terno@ternoscorrevoli.com](mailto:terno@ternoscorrevoli.com)  
[www.ternoscorrevoli.com](http://www.ternoscorrevoli.com)**