



# Solo Vetro Light

Concealed sliding elements for plasterboard walls  
Elemente de culisare ascunse pentru pereti din rigips



# Solo Vetro Light

Invisible sliding elements system integrated into aluminium profiles, for plasterboard walls.

Sistem de elemente culisante invizibile integrate in profile din aluminiu, pentru pereti din rigips.

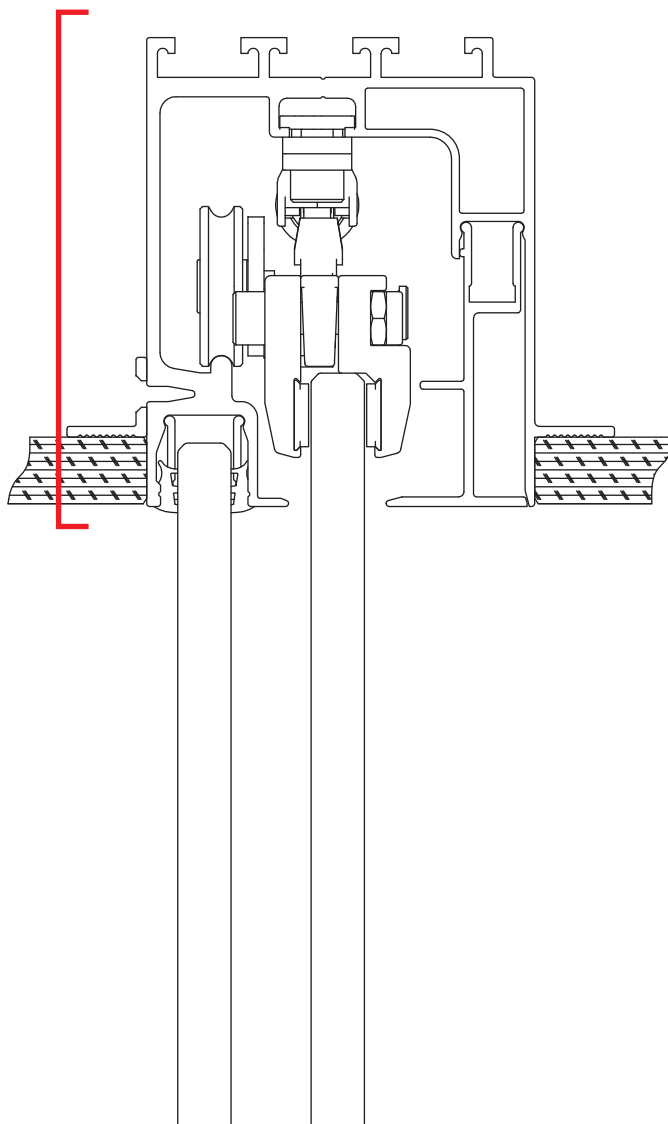


## Concealed sliding system dedicated to false ceiling frameless glass doors

**Solo Vetro Light** is a **concealed sliding system** dedicated to false ceiling frameless glass doors.

Sliding clamps are totally concealed from built-in aluminium profiles, in order to grant a better aesthetic result.

**Solo Vetro Light** is suitable to monolithic and laminated glasses.



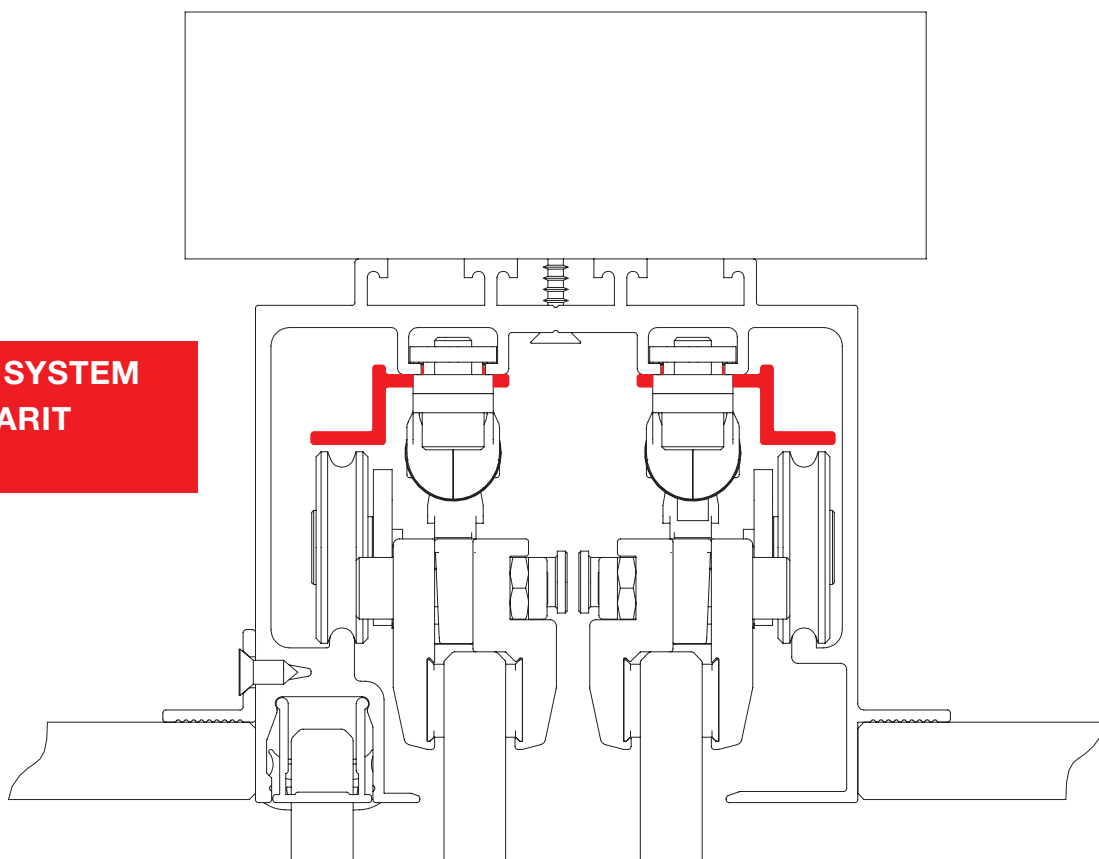
## Sistem culisant ascuns pentru usile din sticla fara rame pentru tavan fals



**Solo Vetro Light** este un **sistem de culisare ascuns** pentru usile din sticla fara rame pentru tavan fals.

Clemele culisante sunt total ascunse de profilele de aluminiu incorporate, pentru a oferi un rezultat estetic mai bun.

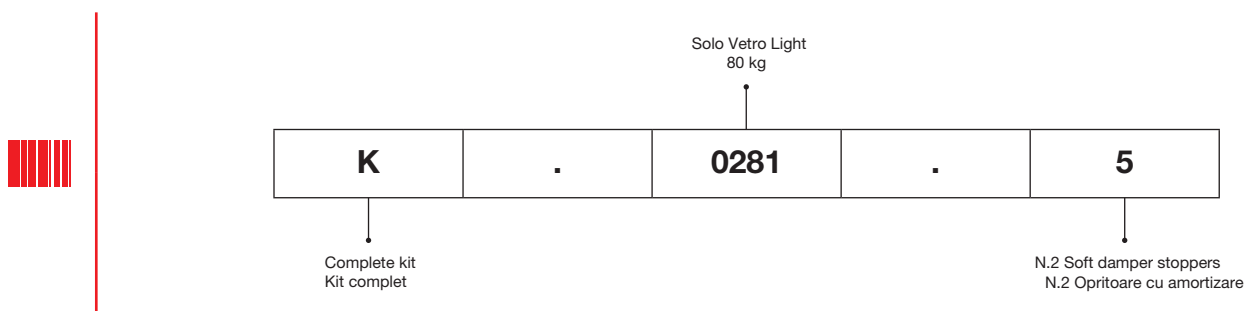
**Solo Vetro Light** este potrivit pentru sticla monolitica si laminata.

## ANTI-JUMPING SYSTEM SISTEM ANTI-SARIT



Solo Vetro Light		COMPLETE BOX KIT / KIT CUTIE COMPLET		
K	Complete kit / Kit complet			
		0281	 Solo Vetro Light	
			5	N.2 Soft damper stoppers N.2 Opritoare cu amortizare

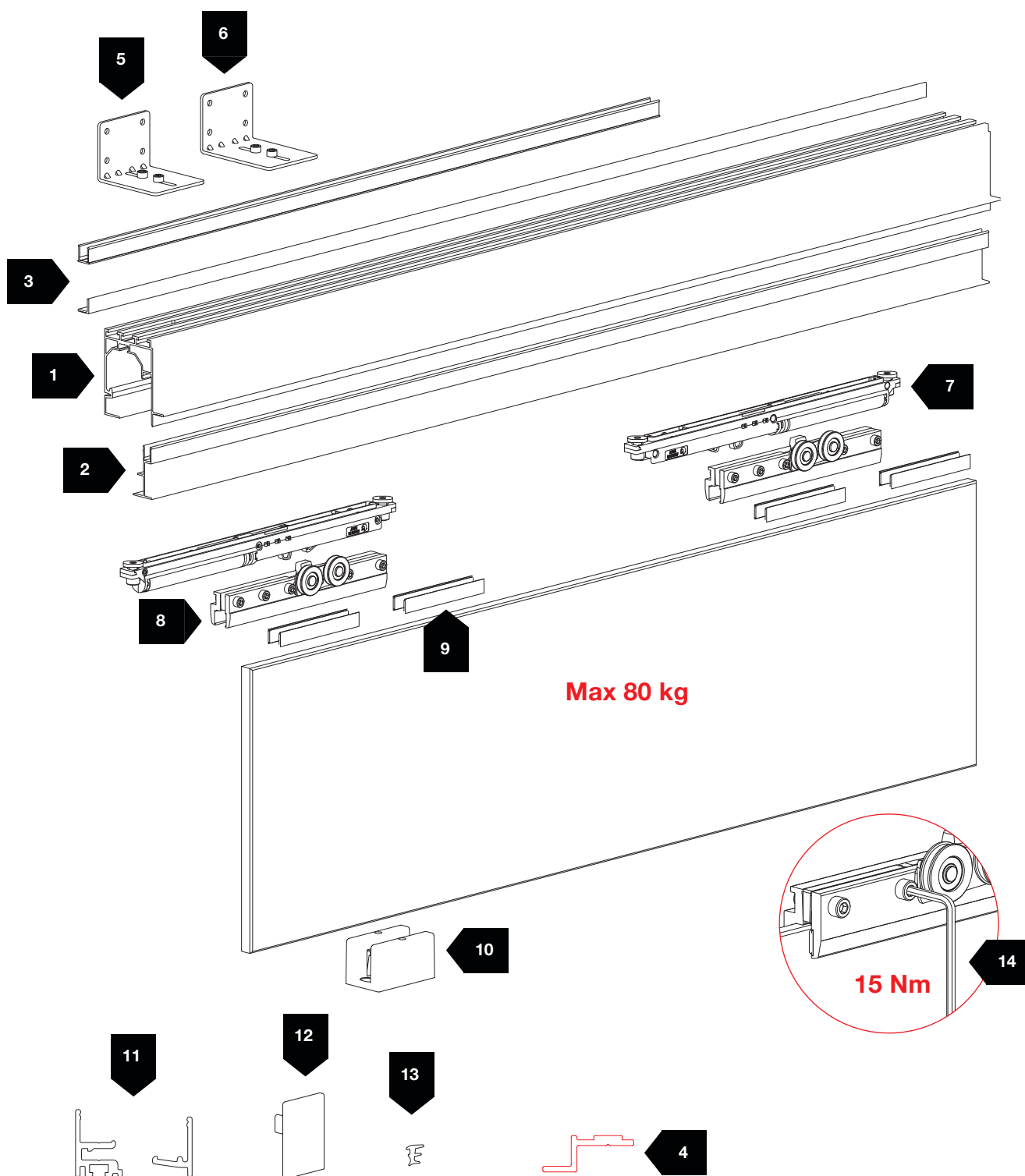
## EXAMPLE / EXEMPLU



Tracks / Sine		ALUMINUM FINISHES CODES / CODURI FINISAJE ALUMINIU		
CODE / COD		FINISH COLOR / CULORI FINISAJE		
8 01 0.0 .....	 01 A	Anodized Silver / Argint anodizat		STANDARD

# Solo Vetro Light

Concealed sliding elements for plasterboard walls  
Elemente de culisare ascunse pentru peretii din rigips



8-8,7 ÷ 12-12,7 mm



Max 80 kg

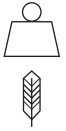


N° 1 door / N° 1 usa

N°	Barcode	Image	kg		N°	Barcode	Image	kg		
1	2250 8 01 0.02250		-		9	1707		-	Glass thk. Grosime sticla 8-8,7 mm (5/16")	
	2256 8 01 0.02256		-			1704		-	Glass thk. Grosime sticla 10-10,7 mm (3/8")	
	2258 8 01 0.02258		-			1705		-	Glass thk. Grosime sticla 12-12,7 mm (1/2")	
	2259 8 01 0.02259		-		10	1483		80	Glass thk. Grosime sticla 8-8,7 mm ÷ 12-12,7 mm (5/16"÷1/2" )	
2	2254 8 01 0.02254		-	Combined with Art.2250 & Art.2256 In combinatie cu Art.2250 & Art.2256		1489/8		80	Glass thk. Grosime sticla 8-8,7 mm (5/16")	
	2740 8 01 0.02740		-			1489/10		80	Glass thk. Grosime sticla 10-10,7 mm (3/8")	
3	2252 8 01 0.02252		-	OPTIONAL +		1489/12		80	Glass thk. Grosime sticla 12-12,7 mm (1/2")	
	2260 8 01 0.02260		-	Mandatory with Art.2258 & Art.2259 Obligatoriu cu Art.2258 & Art.2259	11	1776 8 01 0.01776		-		
5	157		80			1774 8 01 2.01774		-		
6	138		80		12	1794		-		
7	2056		80			13	328		-	Glass thk. Grosime sticla 8-8,7 mm (5/16")
	2251/2		80				326		-	Glass thk. Grosime sticla 10-10,7 mm (3/8")
8	2251/2		80		324			-	Glass thk. Grosime sticla 12-12,7 mm (1/2")	
					2088		-			

# Solo Vetro Light

Concealed sliding elements for plasterboard walls  
Elemente de culisare ascunse pentru peretii din rigips



Max 80 kg

N.2 Soft damper stoppers  
N.2 Opritoare cu amortizare



8-8,7 mm  
(5/16")



10-10,7 mm  
(3/8")



12-12,7 mm  
(1/2")



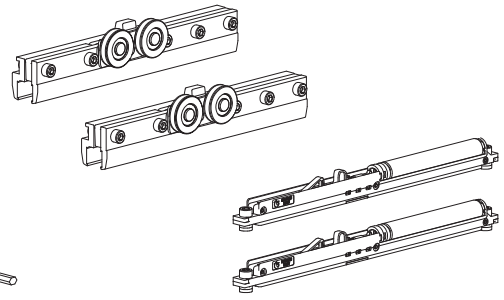
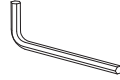
8-8,7 mm  
(5/16")



10-10,7 mm  
(3/8")

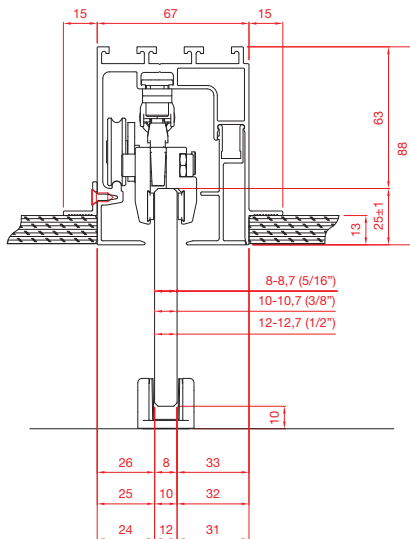


12-12,7 mm  
(1/2")

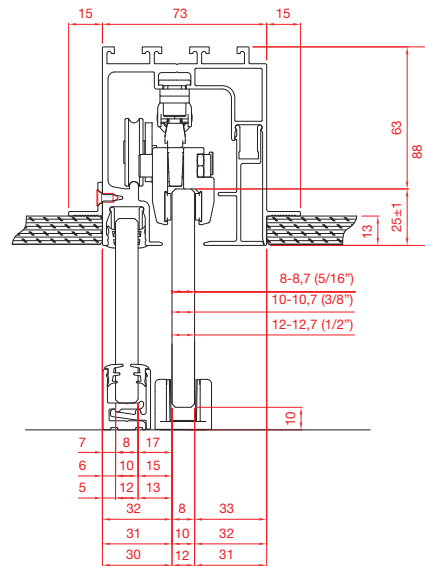


OLD CODE	NEW CODE	 MIN
2251/2/2056	K.0281.5	4x

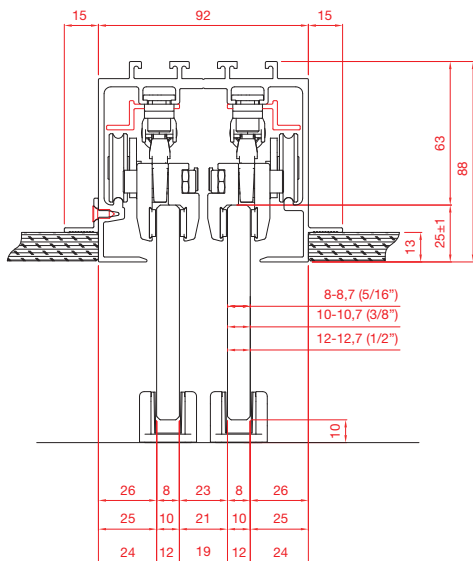
## MEASUREMENTS DESCRIPTION / DESCRIERE MASURATORI



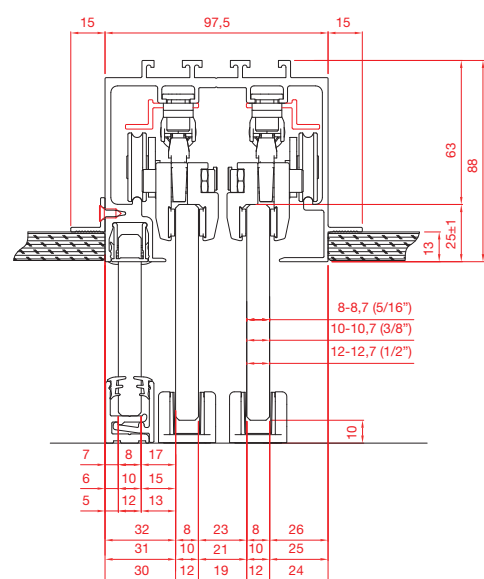
SINGLE DOOR / USA



SINGLE DOOR + FIXED GLASS / USA + STICLA FIXA



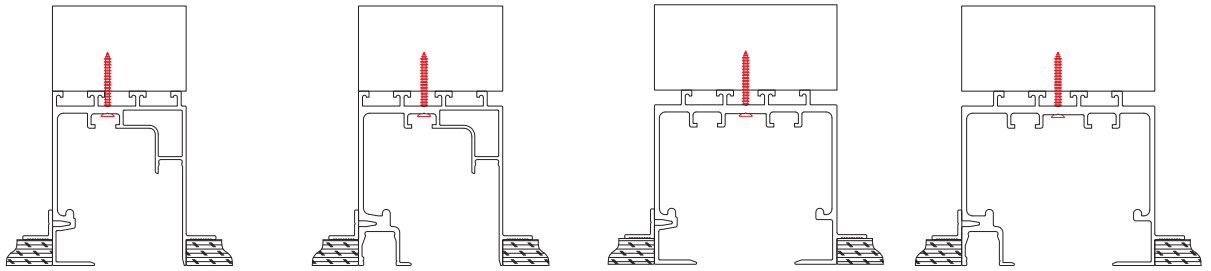
DOUBLE DOOR / USA DUBLA



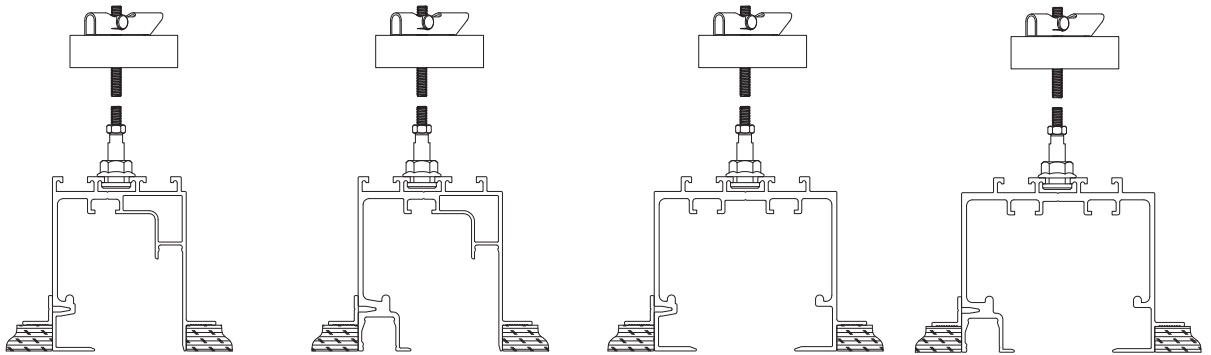
DOUBLE DOOR + FIXED GLASS / USA DUBLA + STICLA FIXA



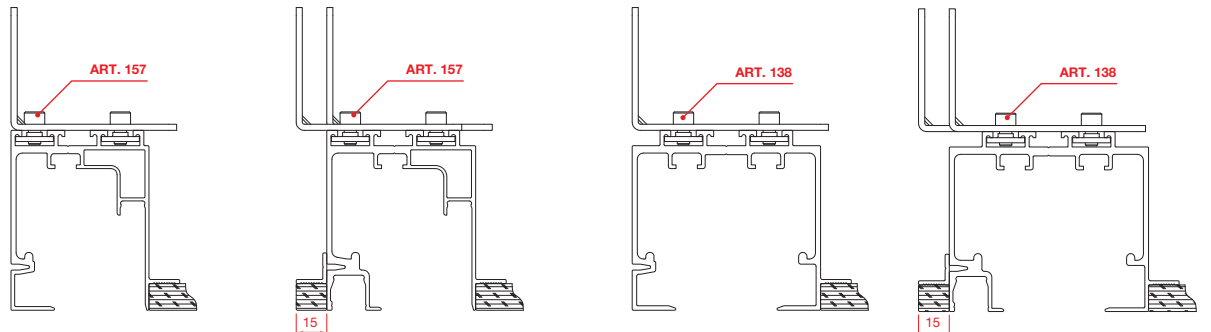
## FASTENING SYSTEM / SISTEM DE FIXARE



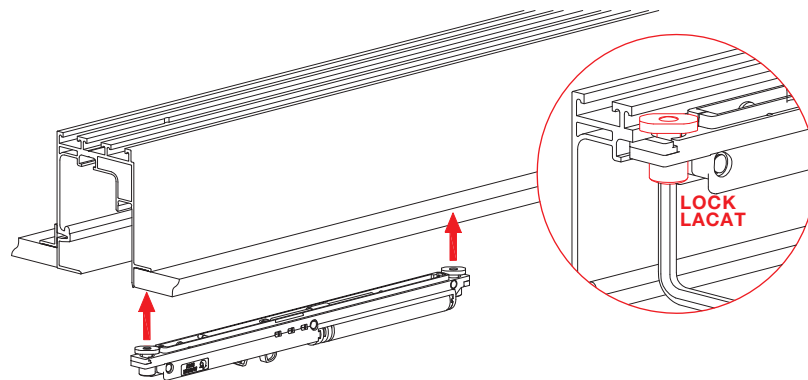
REAL CEILING / TAVAN REAL



FALSE CEILING / TAVAN FALS



WALL / PERETE



SOFT DAMPER STOPPER INSTALLATION / INSTALARE OPRIToare CU AMORTIZARE

FOR FIXING USE ART. 2304 - 2306 - 2308/3 (PAG. 76)  
PENTRU FIXARE ART. 2304 - 2306 - 2308/3 (PAG. 76)



## **Terno Scorrevoli S.p.A.**

**Via Ravenna, 4 - 20814 Varedo (MB) ITALY  
Phone +39 0362 543001 - Fax +39 0362 582290**

**[terno@ternoscorrevoli.com](mailto:terno@ternoscorrevoli.com)  
[www.ternoscorrevoli.com](http://www.ternoscorrevoli.com)**