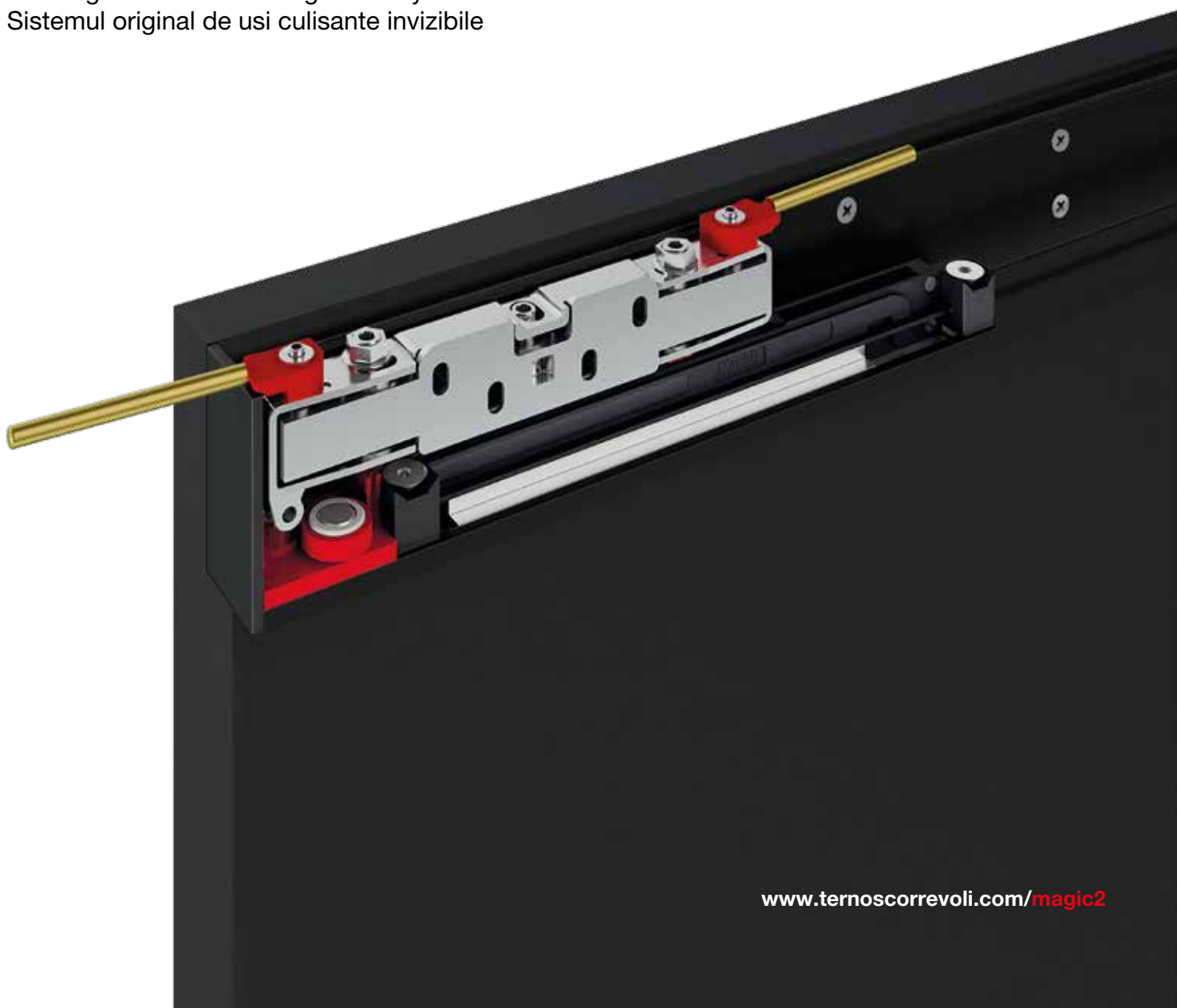




Magic²

The original invisible sliding doors system
Sistemul original de usi culisante invizibile

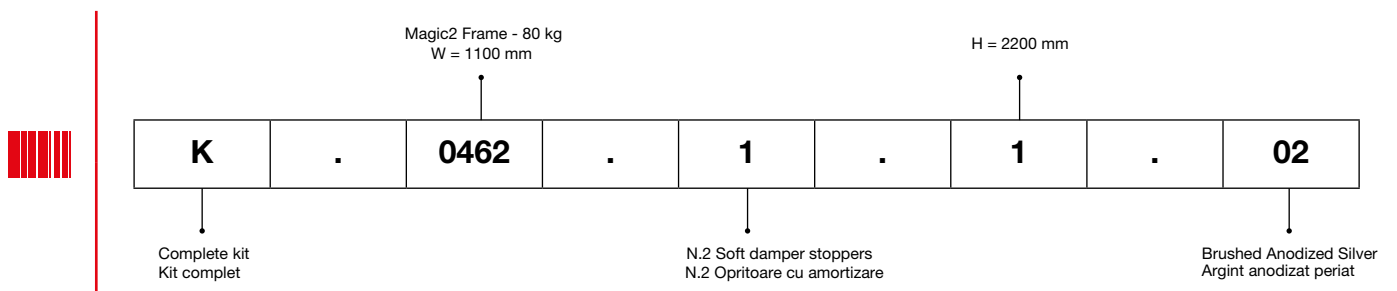




Magic2		COMPLETE BOX KIT / CUTIE KIT COMPLET		
K Complete kit / Kit complet				
	0031		Magic2 - Wood Magic2 - Lemn	
		1		1100 mm
		2		1800 mm
				01 Standard Finish / Finisaj standard

Magic2 Frame		COMPLETE BOX KIT / CUTIE KIT COMPLET		
K Complete kit / Kit complet				
	0461		1500 mm - 80kg	
	0462		1100 mm - 80kg	
		1	N.2 Soft damper stoppers N.2 Opritoare cu amortizare	
			1	2200 mm
			2	2600 mm
			3	3000 mm
				02 Brushed Anodized Silver / Argint anodizat periat
				13 Brushed Anodized Dark Brown / Maro inchis anodizat periat
				15 Brushed Anodized Black / Negru anodizat periat
				17 Brushed Anodized Nickel / Nichel anodizat periat

EXAMPLE / EXEMPLU



Tracks / Sine		ALUMINUM FINISHES CODES / CODURI FINISAJE ALUMINIU		
8 ... 0.0				
01 • (Anodized Silver / Argint anodizat - A)	13 • (Brushed Anodized Dark Brown / Maro inchis anodizat periat - E3S)	17 • (Brushed Anodized Nickel / Nichel anodizat periat - NKS)		
02 • (Brushed Anodized Silver / Argint anodizat periat - AS)	14 • (Anodized Black / Negru anodizat - N)			
12 • (Anodized Dark Brown / Anodizat maro inchis E3 - E3S)	15 • (Brushed Anodized Black / Negru anodizat periat - NS)			
01 - 02 STANDARD / 12 - 13 - 14 - 15 - 17 SPECIAL				

Magic²

PATENTED

Magic² is the new **PATENTED** and **INVISIBLE** sliding door system outside the wall with soft-closing.

Magic² este noul sistem de usa culisanta **PATENTAT** si **INVIZIBIL** in exteriorul peretelui cu inchidere usoara.





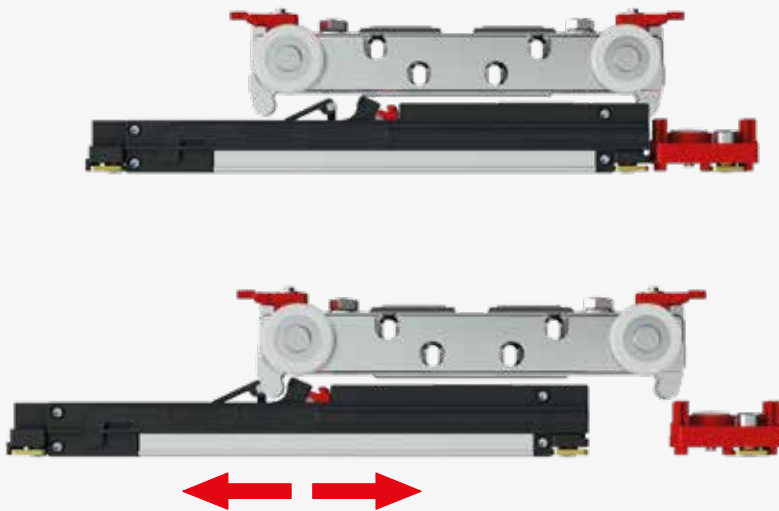
More than 50mm of damping motion

Magic2 system integrates new **PATENTED** dampers with 50 mm of braking motion, 20 mm longer than previous version of **Magic**, while keeping the same door dimensions.

Peste 50mm de miscare de amortizare

Sistemul **Magic2** integreaza noi amortizoare **PATENTATE**, cu 50 mm miscare de franare, mai lungi cu 20 mm fata de versiunea anterioara a modelului **Magic**, pastrand in acelasi timp aceleasi dimensiuni ale usii.

PATENTED



New dampers with adjustable positioning

New **Magic2** adjustable dampers were designed to be independent from wall-spacer wheels. New dampers are suitable to be moved into the track to allow door positioning adjustment.

Amortizoare noi cu pozitionare reglabila

Noile amortizoare reglabile **Magic2** au fost proiectate pentru a fi independente de rotile distantiere de perete. Amortizoarele noi sunt potrivite pentru a fi mutate in sina pentru a permite reglarea pozitionarii usii.

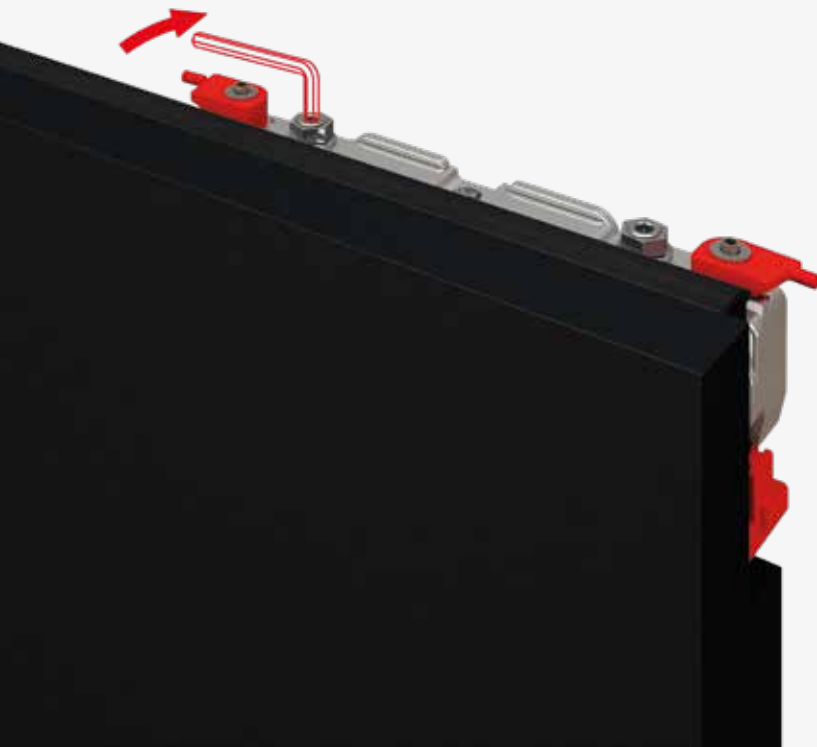
New position of wall-spacer wheels

In **Magic2** system wall-spacer wheels are positioned on the door extremities. The wall-spacer wheels are so positioned in order to protect the door from wall contact, when wall surface are not plane.

Pozitie noua a rotilor distantiere de perete

In sistemul **Magic2** rotile distantiere de perete sunt pozitionate pe extremitatile usii. Rotile distantiere de perete sunt astfel pozitionate pentru a proteja usa de contactul cu peretele, atunci cand suprafata peretelui nu este plana.





New patented adjustment system

New **Magic2 PATENTED** sliding trolley integrates following door adjustments:

- Door height adjustment from floor
 - Micrometric adjustment of door from wall
 - Micrometric adjustment of door parallelism from wall
- Door adjustments of wall distance and parallelism, are meant to compensate possible irregularities of wall. All adjustments are available in the top of sliding trolley, without removing the door.

Noul sistem de reglare patentat

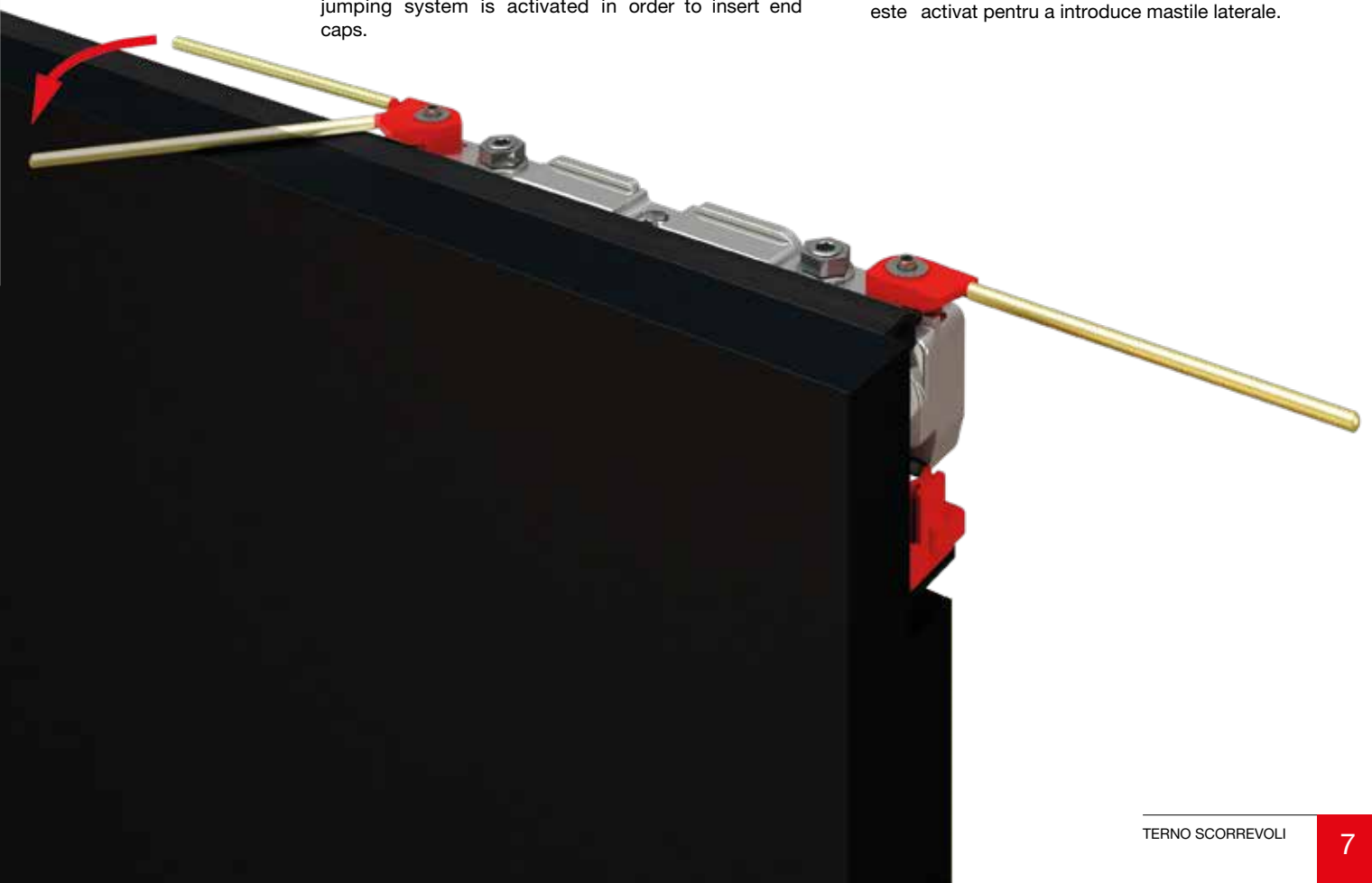
Noul carucior culisant **Magic2 PATENTAT** integreaza urmatoarele ajustari ale usii:

- Reglarea inaltimei usii de la podea
- Reglarea micrometrica a usii de la perete
- Reglarea micrometrica a paralelismului usii fata de perete

Reglajele usii pentru distanta fata de perete si a paralelismului, sunt menite sa compenseze eventualele nereguli ale peretelui. Toate ajustarile sunt disponibile in partea superioara a caruciorului culisant, fara a scoate usa.

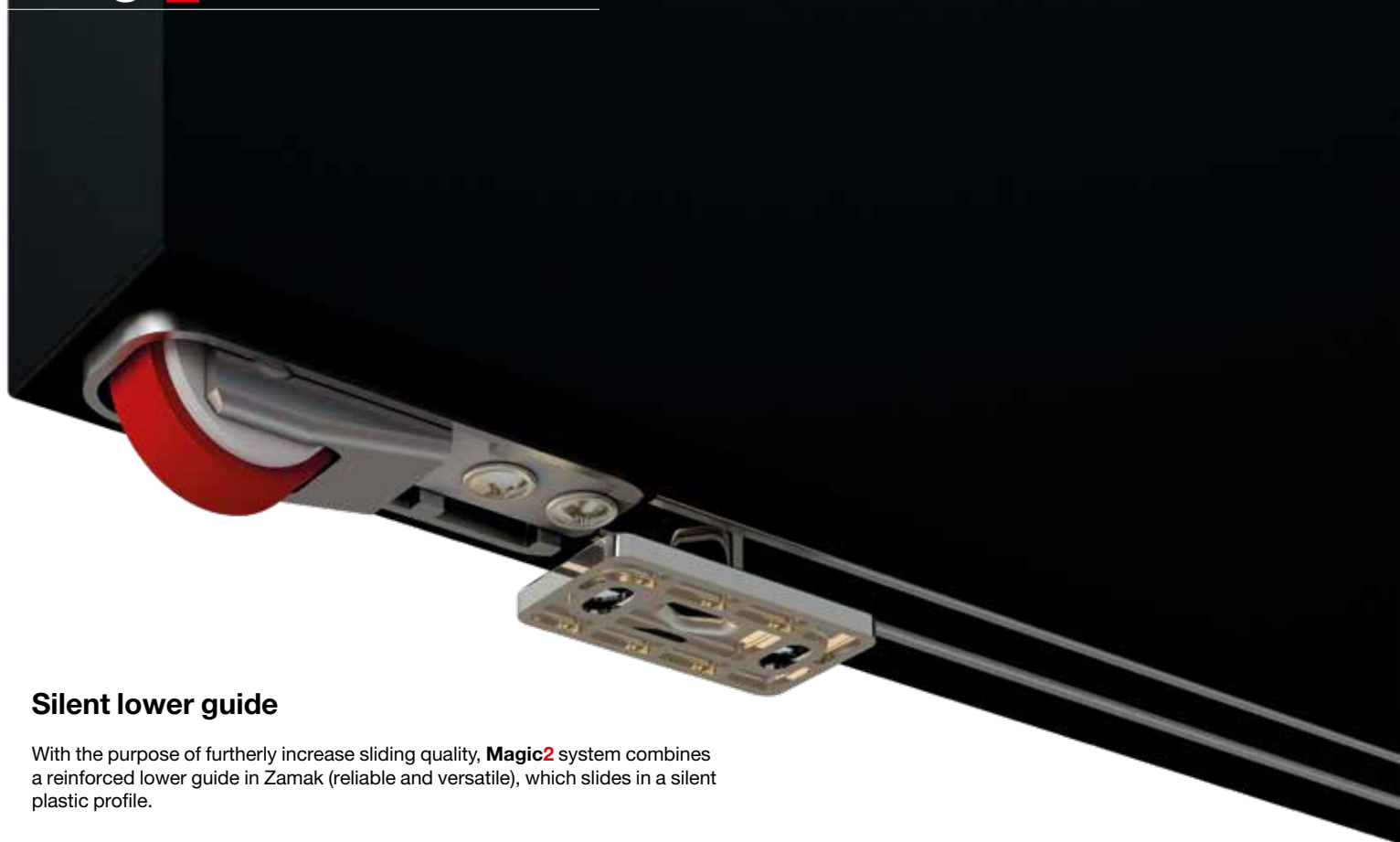
Practical anti-jumping system

Magic2 sliding trolley includes two new turning anti-jumping activation elements. Turning anti-jumping activation elements are equipped with two safety levers, easy to rotate with no tools required. Safety levers, clearly visible, will have to be removed once anti-jumping system is activated in order to insert end caps.



Sistem practic anti-sarire

Caruciorul culisant **Magic2** include doua elemente noi de anti-sarire. Elementele de activare anti-saritari sunt echipate cu doua parghii de siguranta, usor de rotit fara a fi nevoie de unelte. Parghiile de siguranta, clar vizibile, vor trebui indepartate odata ce sistemul anti-sarire este activat pentru a introduce mastile laterale.



Silent lower guide

With the purpose of furtherly increase sliding quality, **Magic2** system combines a reinforced lower guide in Zamak (reliable and versatile), which slides in a silent plastic profile.

Ghidaj inferior silentios

Cu scopul de a creste si mai mult calitatea alunecarii, sistemul **Magic2** combina un ghidaj inferior ranforsat din Zamak (fiabil si versatil), care aluneca intr-un profil de plastic silentios.

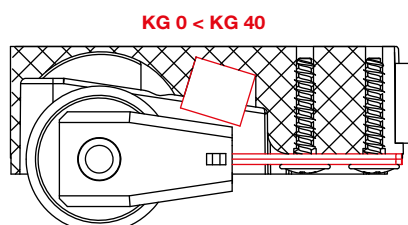
New patented bottom wheels designed for a better sliding

New **Magic2** bottom wheels are equipped with a **PATENTED** suspension spring system and were designed with a larger diameter, bigger bearing and steel pivots. Rubber surface have been enlarged as well, in order to reinforce wheels and improve sliding quality.

An additional important **PATENTED** innovation in lower sliding system is the introduction of two padded fixed springs which can grant damping function during door motion up to 40kg. Over 40kg of door weight and up to 80kg of maximum load capacity, new bottom wheels will be more flexible than previous version, with their Zamak surface to lean on a rubber internal cylinder, which act as a small shock absorber, granting more stability during sliding motion.

The **Magic2** wheels rubber have hight performance:

- it does not leave any trace or sign on sliding surface like floors and walls
- it does not deform over time

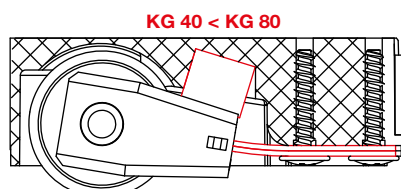


Noile roti inferioare patentate concepute pentru o alunare mai buna

Noile roti inferioare **Magic2** contin un sistem cu arcuri de suspensie **PATENTAT**, si au fost proiectate cu un diametru mai mare, rulment mai mare si pivoti din otel. Suprafata cauciucului a fost, de asemenea, marita, pentru a consolida rotile si pentru a imbunatati calitatea alunecarii. O inovatie suplimentara importanta **PATENTATA** in sistemul de alunecare inferior este introducerea a doua arcuri fixe captusite care pot asigura functia de amortizare in timpul miscarii usii pana la 40 kg. Peste 40 kg greutate usa si pana la 80 kg capacitate maxima de incarcare, noile roti inferioare vor fi mai flexibile decat versiunea anterioara, cu suprafata lor Zamak care se sprijina pe un cilindru interior din cauciuc, care actioneaza ca un mic amortizor de soc, oferind mai multa stabilitate in timpul alunecarii miscare.

Cauciucul pentru roti **Magic2** are calitate superioara:

- nu lasa urme sau semne pe suprafetele de alunecare precum podele si pereti
- nu se deformeaza in timp



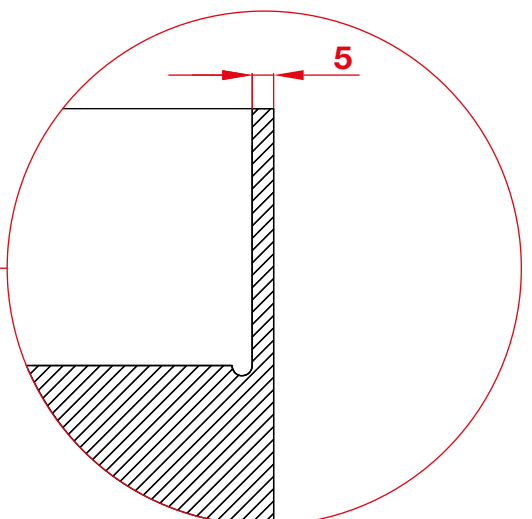


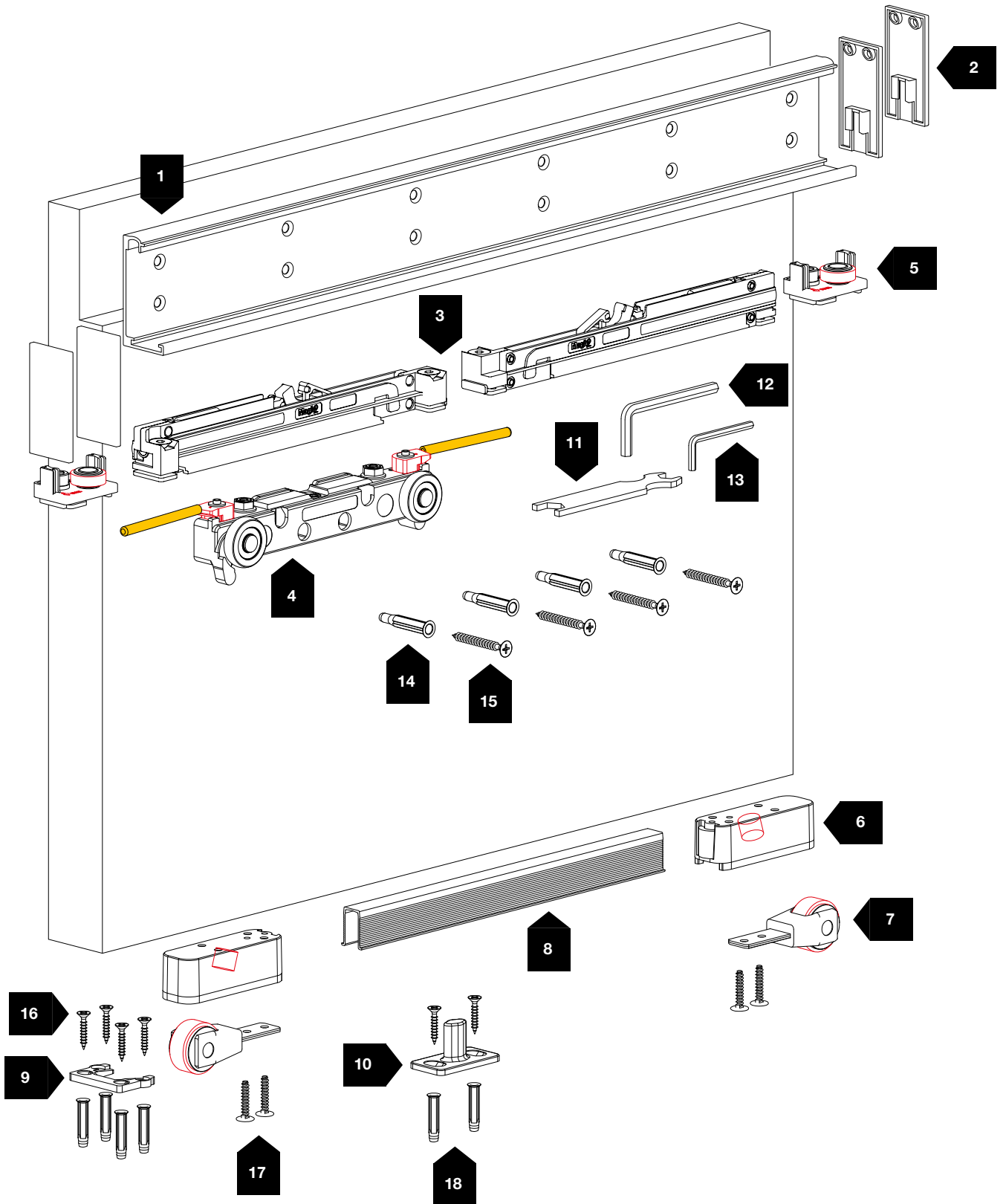
Built-in sliding track with not-through milling

Upper sliding track can be installed “built-in” into a blind milling. Laterally, track’s end caps won’t be visible, improving even more the aesthetics of door. Door installation and adjustment are not going to be different than usual, because available on the top of the door.

Sina de alunecare incorporata fara frezare completa

Linia superioara de alunecare poate fi instalata „incorporata” intr-o frezare ascunsa. Lateral, mastile de capat ale sinei nu vor fi vizibile, imbunatatind si mai mult estetica usii. Instalarea si reglarea usii nu vor fi diferite fata de cum sunt in mod normal, deoarece sunt disponibile in partea de sus a usii.





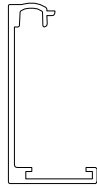
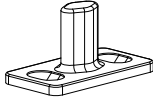
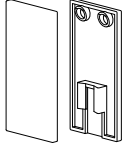
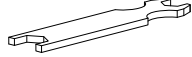
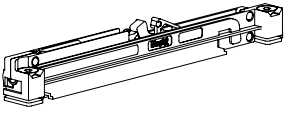

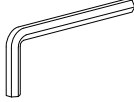
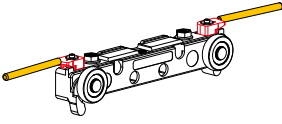

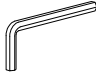
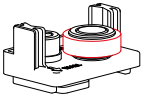

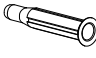
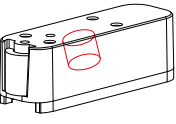


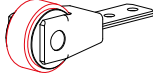


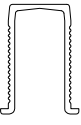

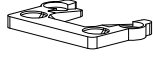
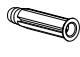
680 ÷ 1800 mm




80 kg

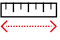


10 mm

N°			kg		N°			kg	
1	2850		-		10	2855		-	
2	2851/N		-		11	1025		-	
	2851/A								
3	2864-80		80		12	538		-	
4	2852		80		13	654		-	
5	2856		-		14	FISCHER UX6		-	
6	2858		80		15	4,5x40		-	
7	2857		80		16	4x30		-	
8	121		-		17	4x20		-	
9	2859		-		18	FISCHER SX5		-	

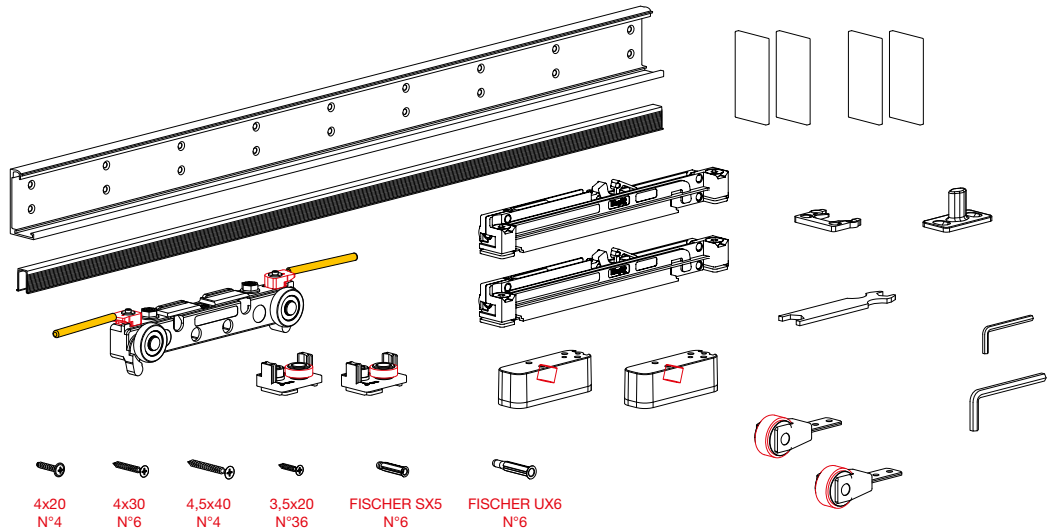
 **80 kg**



 N.2 Soft damper stoppers
N.2 Opritoare cu amortizare

 Customizable door width
Latimea usii personalizata

 Patented system
Sistem patentat

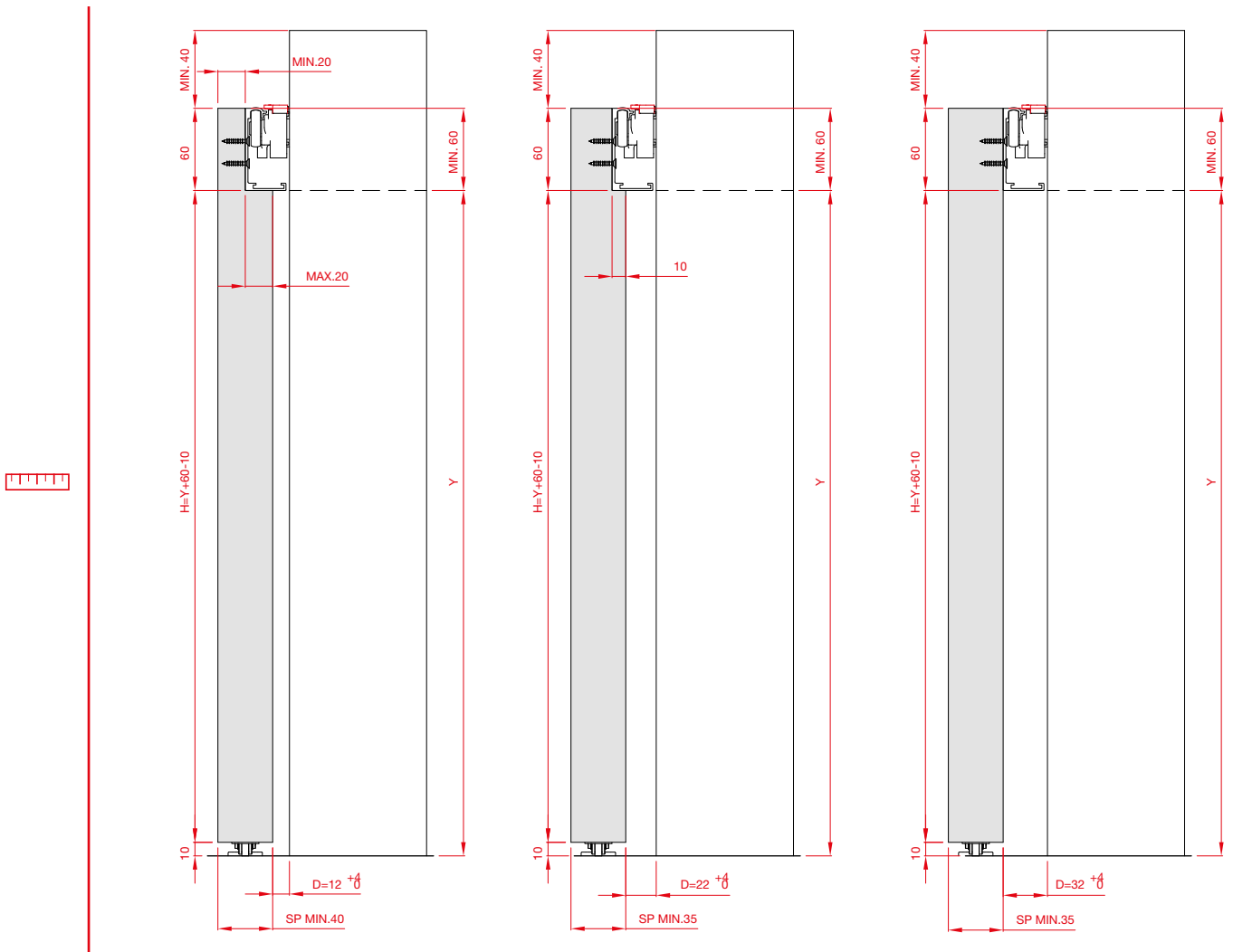
 Standard Finish
Finisaj standard



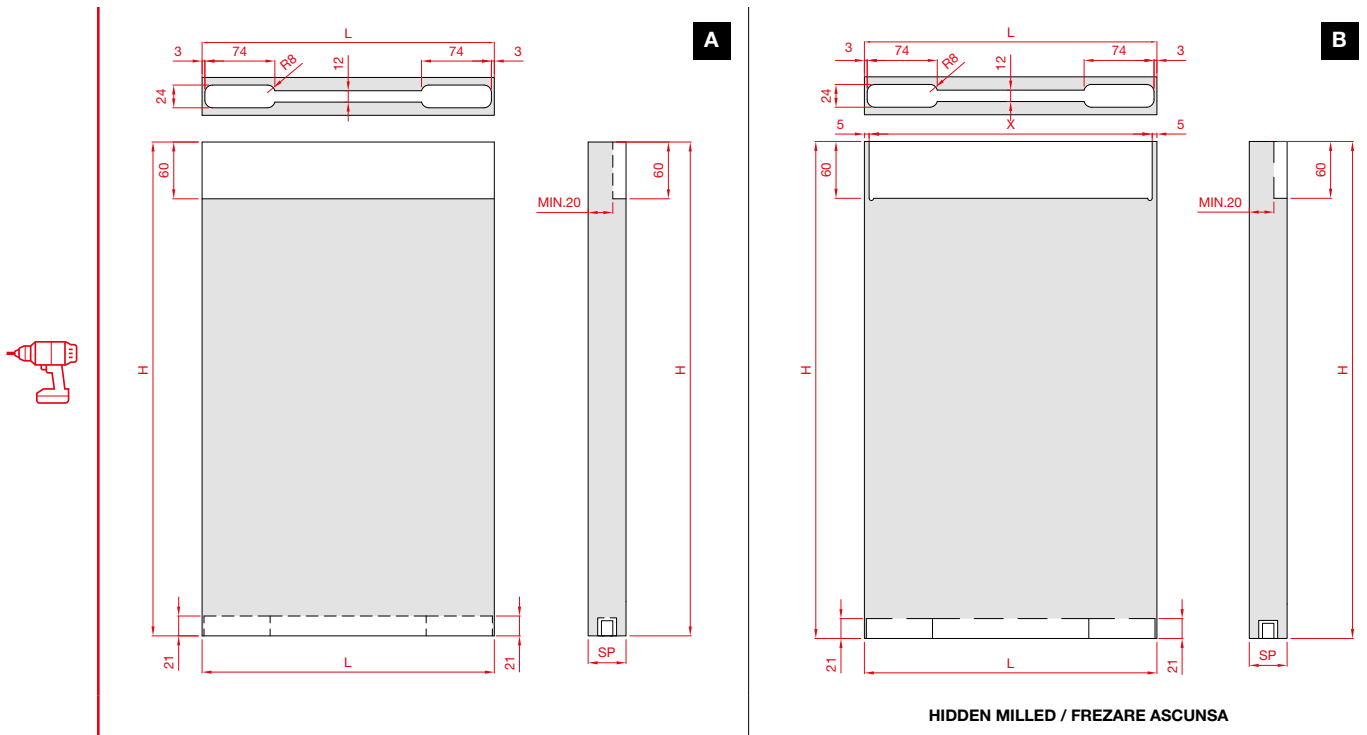
OLD CODE	NEW CODE		
MAGIC2/1100	K.0031.1.01	1100 mm	6x *
MAGIC2/1800	K.0031.2.01	1800 mm	4x

* For export - Min.12x

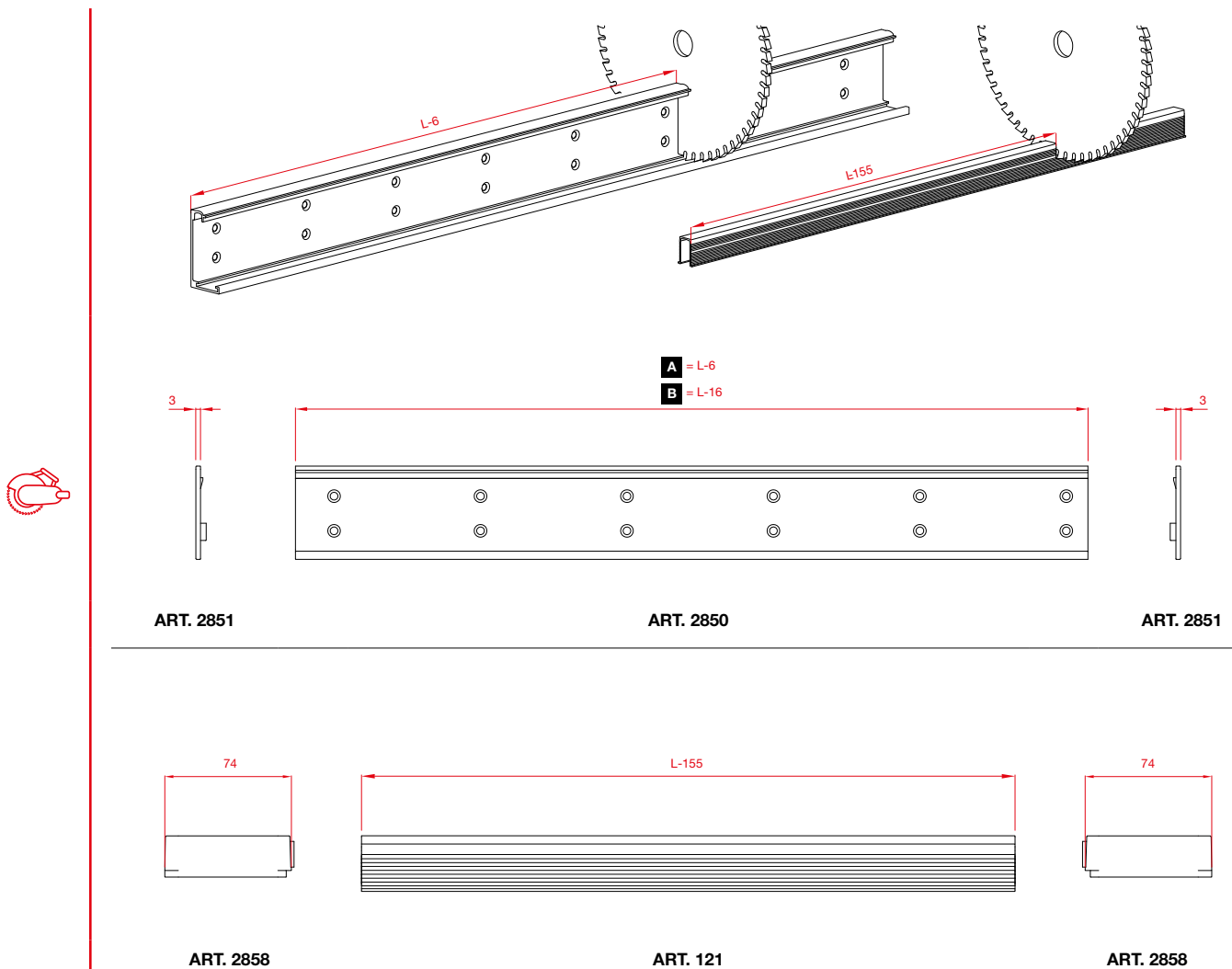
MEASUREMENTS DESCRIPTION / DESCRIERE MASURATORI



MILLING DESCRIPTION / DESCRIEREA FREZARII



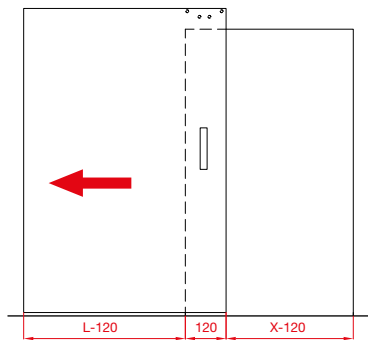
PROFILES CUTTING MEASUREMENTS / MASURATORI PENTRU TAIEREA PROFILELOR



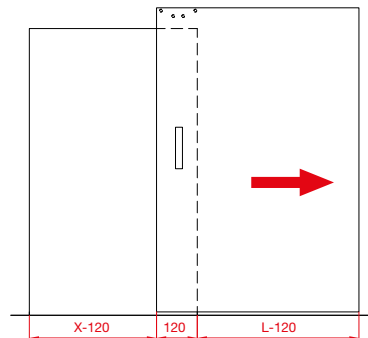
ACCESSORIES PLACEMENT (STANDARD POSITION) / AMPLASAREA ACCESORIILOR (POZITIA STANDARD)



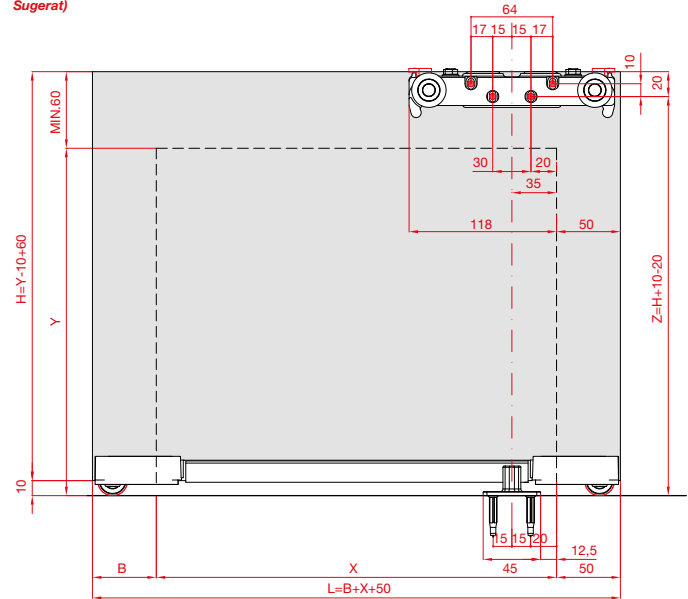
LEFT OPENING / DESCHIDERE STANGA



RIGHT OPENING / DESCHIDERE DREAPTA



B = 0 mm (Min.)
B = 50 mm (Suggested/
Sugerat)



MAGIC2/1100 (K.0031.1.01)

B=0
X= MIN. 800 (L=850)
X= MAX. 1050 (L=1100)

B=50
X= MIN. 800 (L=900)
X= MAX. 1000 (L=1100)

MAGIC2/1800 (K.0031.2.01)

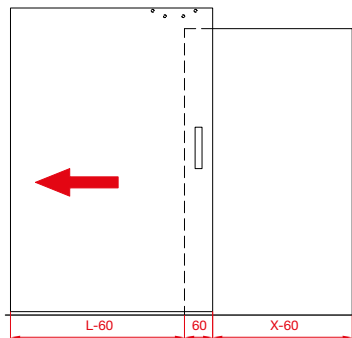
B=0
X= MIN. 800 (L=850)
X= MAX. 1750 (L=1800)

B=50
X= MIN. 800 (L=900)
X= MAX. 1700 (L=1800)

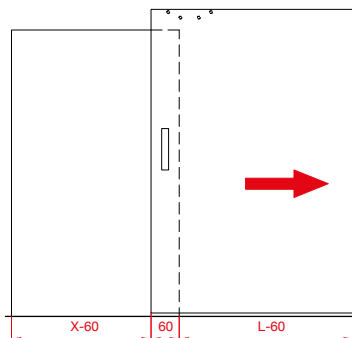
ACCESSORIES PLACEMENT (INTERMEDIATE POSITION) / AMPLASAREA ACCESORIILOR (POZITIA INTERMEDIARA)



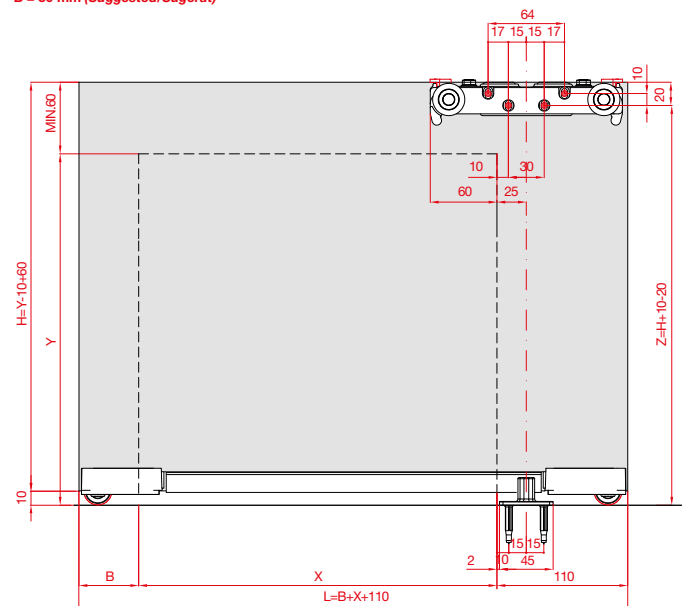
LEFT OPENING / DESCHIDERE STANGA



RIGHT OPENING / DESCHIDERE DREAPTA



B = 0 mm (Min.)
B = 50 mm (Suggested/Sugerat)



MAGIC2/1100 (K.0031.1.01)

B=0
X= MIN. 740 (L=850)
X= MAX. 990 (L=1100)

B=50
X= MIN. 740 (L=900)
X= MAX. 940 (L=1100)

MAGIC2/1800 (K.0031.2.01)

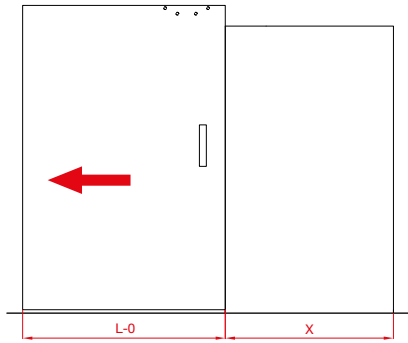
B=0
X= MIN. 740 (L=850)
X= MAX. 1690 (L=1800)

B=50
X= MIN. 740 (L=900)
X= MAX. 1640 (L=1800)

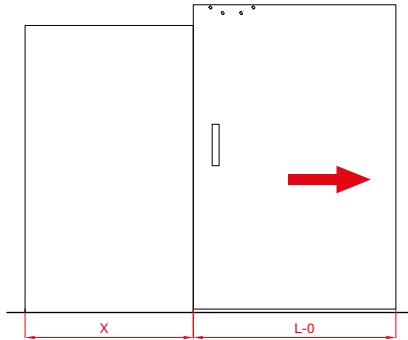
ACCESSORIES PLACEMENT (TOTAL OPENING POSITION) / AMPLASAREA ACCESORIILOR (POZITIA COMPLET DESCHISA)



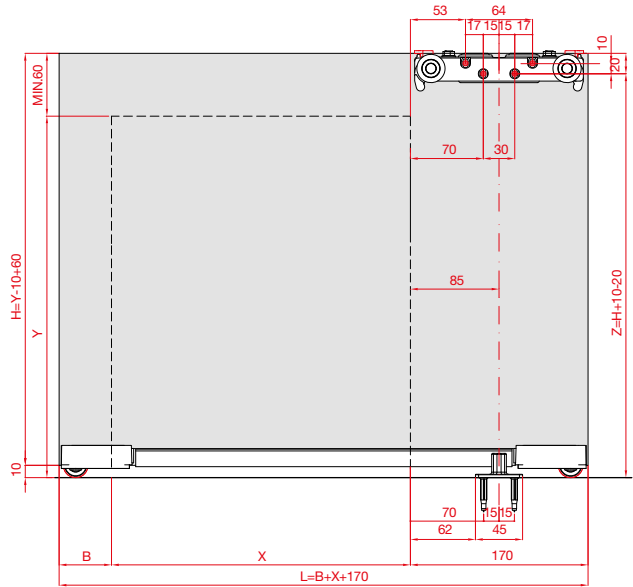
LEFT OPENING / DESCHIDERE STANGA



RIGHT OPENING / DESCHIDERE DREAPTA



B = 0 mm (Min.)
B = 50 mm (Suggested/Sugerat)



MAGIC2/1100 (K.0031.1.01)

B=0
X= MIN. 680 (L=850)
X= MAX. 930 (L=1100)

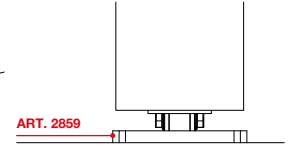
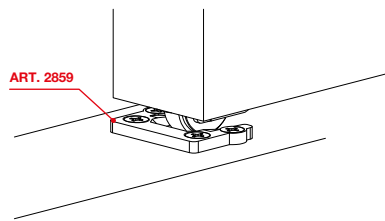
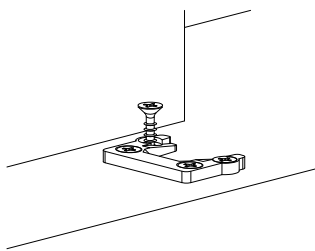
B=50
X= MIN. 680 (L=900)
X= MAX. 880 (L=1100)

MAGIC2/1800 (K.0031.2.01)

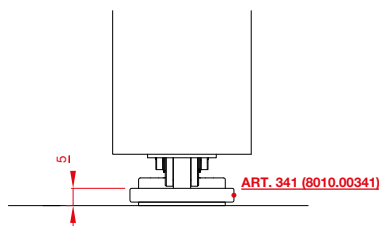
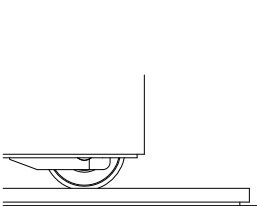
B=0
X= MIN. 680 (L=850)
X= MAX. 1630 (L=1800)

B=50
X= MIN. 680 (L=900)
X= MAX. 1580 (L=1800)

ART. 2859 - END STOPPER / OPRITOR DE CAPAT



**ALUMINIUM TRACK FOR IRREGULAR FLOOR
SINA DIN ALUMINIU PENTRU PARDOSEA NEREGULATA**



ALUMINIUM PROFILE
PROFIL ALUMINIU

ART. 341
(8010.00341)

ADHESIVE / ADEZIV

ART. 341
8 01 0.00341

Magic² Frame

PATENTED

Magic² Frame combines the innovative features of invisible sliding door system **Magic²** with the versatility and clean design of our new **Universal** frame, which allows clean lines, reduced encumbrances and maximal resistance.

Magic² Frame, designed for glasses in 5 and 8,5 mm thickness, it is therefore the perfect meeting point between functionality and design.

Magic² Frame combina caracteristicile inovatoare ale sistemului de usi culisante invizibile **Magic²** cu versatilitatea si designul curat al noului nostru cadru **Universal**, care permite linii curate, greutate redusa și rezistența maximă. **Magic² Frame**, conceput pentru sticla cu grosimea de 5 și 8,5 mm, este punctul perfect de intalnire dintre functionalitate si design.





Minimal and linear design, with the highest resistance

The vertical upright with reduced dimensions will decrease visibility of extruded profiles. The lines will then result linear and clean. The gap, in the upper side of the door as in the bottom's, is reduced out just like standard swing doors and no additional drilling or milling processing are needed. The sliding track external cover will shape with the door a continuous surface: everything contributes to confer to new **Universal** frame a minimal, but pleasant design.

Tubular extruded profiles, metal joints, maximal grip, load-bearing connectors, bi-extruded gaskets: All components contribute to grant the glass weight to be sustained by vertical uprights and horizontal crosstracks, halving the pressure of it.

Design minimal si liniar, cu cea mai mare rezistenta

Montantul vertical cu dimensiuni reduse va reduce vizibilitatea profilelor extrudate. Liniile vor fi liniare si curate. Spatiul, in partea superioara a usii, ca si in partea inferioara, este redus la fel ca la usile batante standard si nu este nevoie de prelucrare suplimentara, de perforare sau frezare. Masca externa a sinei culisante va forma cu usa o suprafata continua: totul contribuie la conferirea noului cadru **Universal** un design minimal, dar placut.

Profile tubulare extrudate, imbinari metalice, aderenta maxima, conectori portanti, garnituri bi-extrudate: Toate componentele contribuie la asigurarea ca greutatea sticlei sa fie sustinuta vertical de catre sinele transversale horizontale, inumatatind presiunea acesteia.



“The new UNIVERSAL frame is the perfect answer to the demand of an elegant, performant and high resistant product”

“Noul cadru UNIVERSAL este raspunsul perfect la cererea unui produs elegant, performant si rezistent”

Versatility and resistance

The new **Universal** frame's extruded profiles are tubular in order to grant maximum resistance and are assembled by metal joint connectors, without any additional drilling processing requirement: This allows to cut profile's bars to favourite size, with no additional drilling or milling process, always granting the best grip.



Versatilitate si rezistenta

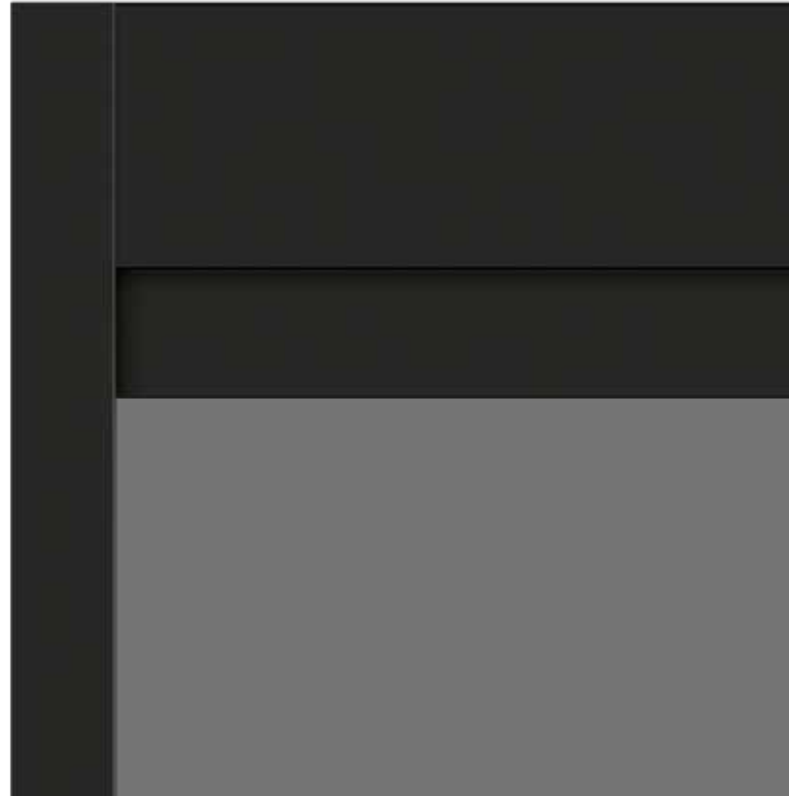
Profilele extrudate ale noului cadru **Universal** sunt tubulare pentru a oferi o rezistenta maxima si sunt asamblate prin conectori cu imbinari metalice, fara nicio necesitate de perforare extra: Acest lucru permite taierea barelor profilului la dimensiunea preferata, fara nicio procedura suplimentara de perforare sau frezare, oferind intotdeauna cea mai buna prindere.

Essential and modern design

The vertical upright has been designed with reduced dimensions in order to extremely limitate the visual impact of extruded profiles. The sliding track's external aluminium cover aligned with the door, it is shaping a continuous and pleasant line. Profiles and accessories are available in different finishings, from lighter to darker colours, as per latest design trends.

Design esential si modern

Montantul vertical a fost proiectat cu dimensiuni reduse pentru a limita maxim impactul vizual al profilelor extrudate. Masca exterioara din aluminiu a sinelor de culisare este aliniata cu usa ceea ce modeleaza o linie continua si placuta. Profilele si accesoriile sunt disponibile in diferite finisaje, de la culori mai deschise la culori mai inchise, conform ultimelor tendinte de design.

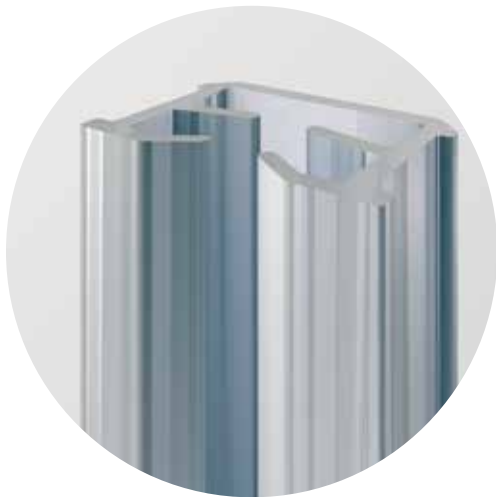


Reduced vertical and horizontal gap

Into the horizontal crosstrack are inserted dustcover brushes, allowing to fill the gap either in the bottom, as in the upper side, towards the external cover. According to that, horizontal or vertical door's gap will result extremely reduced.

Spatiu vertical si orizontal redus

In sina transversala orizontala sunt introduse perii antipraf, permitand umplerea golului fie in partea inferioara, fie in partea superioara, spre masca exterioara. De aceea, spatiul orizontal sau vertical al usii va fi extrem de redus.

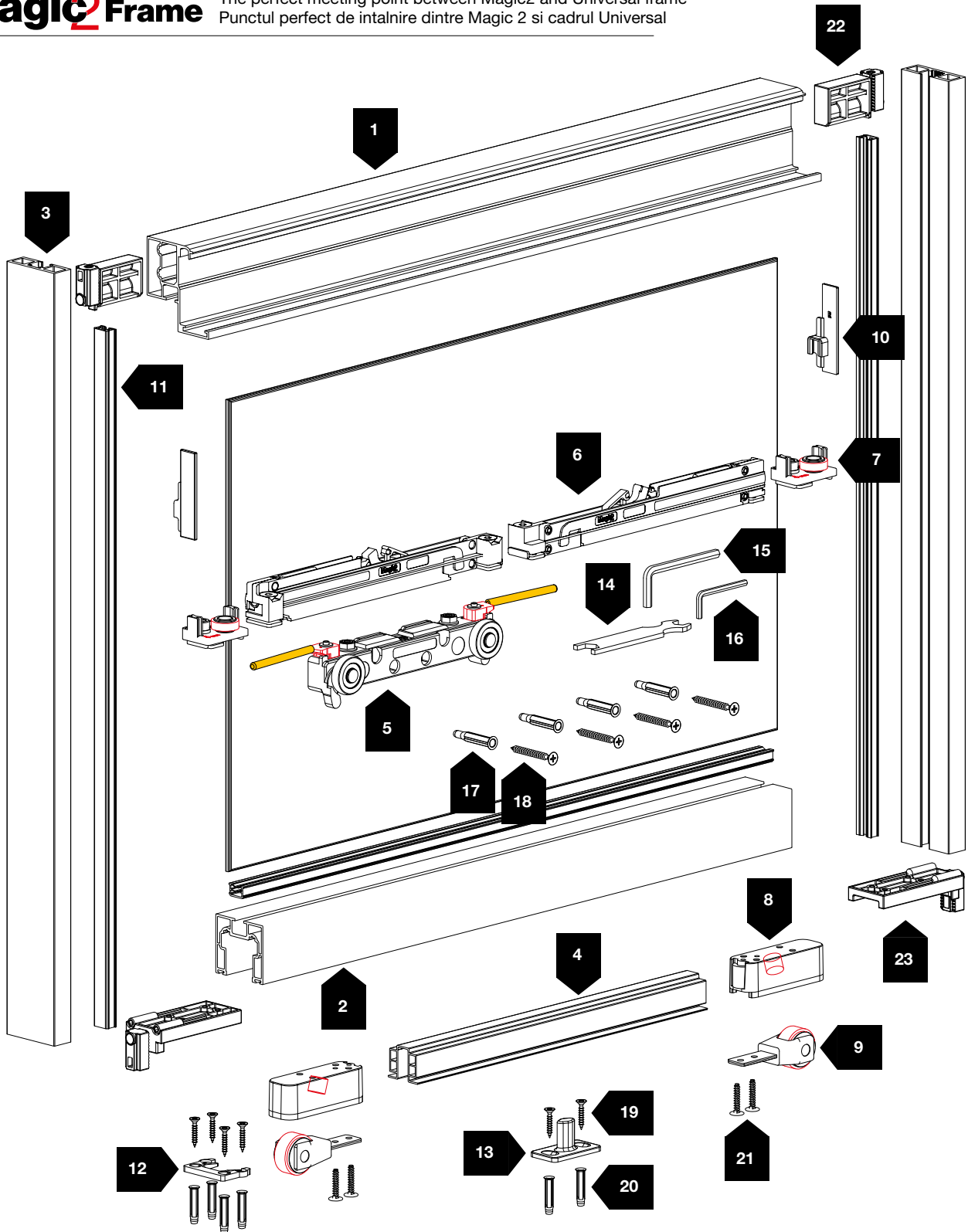


Dedicated to monolithic and laminated glass

Thanks to innovative extruded profiles, **Universal** frame result to be highly resistant. Furthermore, it has been realized an innovative bi-extruded gasket which allows an optimal grip of glass. The bi-extruded gasket will allow to use monolithic and laminated glasses from 5 up to 8,5 mm thickness.

Special pentru sticla monolitica si laminata

Datorita profilelor extrudate inovatoare, cadrul **Universal** rezulta a fi foarte rezistent. In plus, a fost realizata o garnitura inovatoare bi-extrudata care permite o prindere optima a sticlei. Garnitura bi-extrudata va permite utilizarea sticlelor monolitice si laminate de la 5 pana la 8,5 mm grosime.



680 ÷ 1500 mm



80 kg



10 mm

COLORS / CULORI



Brushed Anodized Silver
Argint anodizat periat



Brushed Anodized Nickel
Nichel anodizat periat



Brushed Anodized Dark Brown
Maro inchis anodizat periat



Brushed Anodized Black
Negru anodizat periat

N°	Barcode	Image	kg		N°	Barcode	Image	kg	
1	2780		-		13	2855		-	
2	2778		-		14	1025		-	
3	2761		-		15	538		-	
4	2860		-		16	654		-	
5	2852		80		17	FISCHER UX6		-	
6	2864-80		80		18	4,5x40		-	
7	2856		-		19	4x30		-	
8	2858		80		20	FISCHER SX5		-	
9	2857		80		21	4x20		-	
10	2899		-		22	2774_DX 2774_SX		80	
11	2751		-		23	2776		80	
12	2859		-						



80 kg



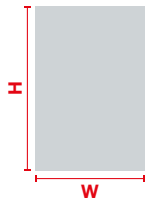
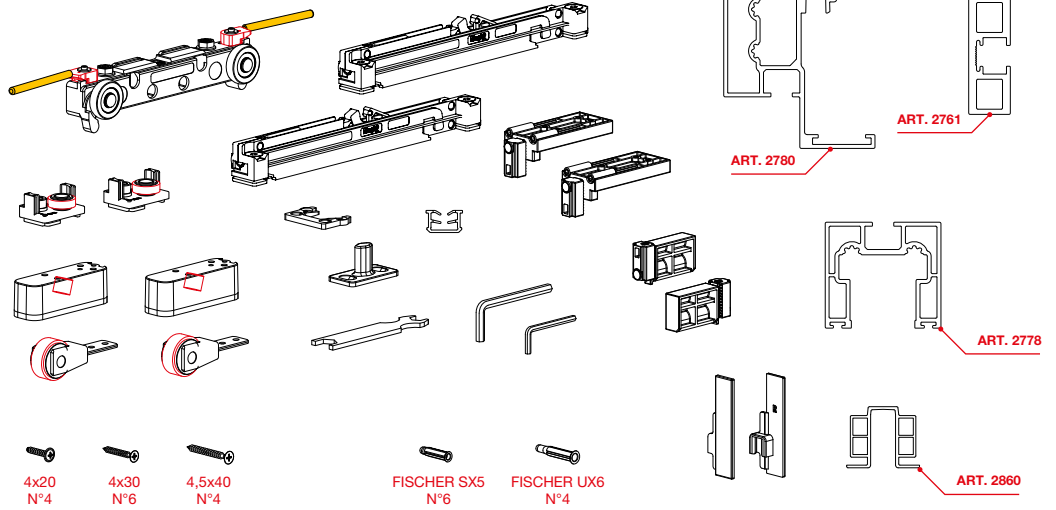
N.2 Soft damper stoppers
N.2 Opritoare cu amortizare



Customizable door width
Latimea usii customizabila



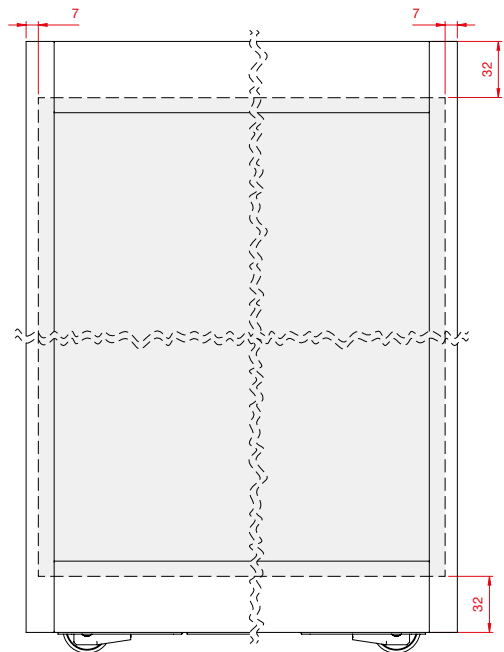
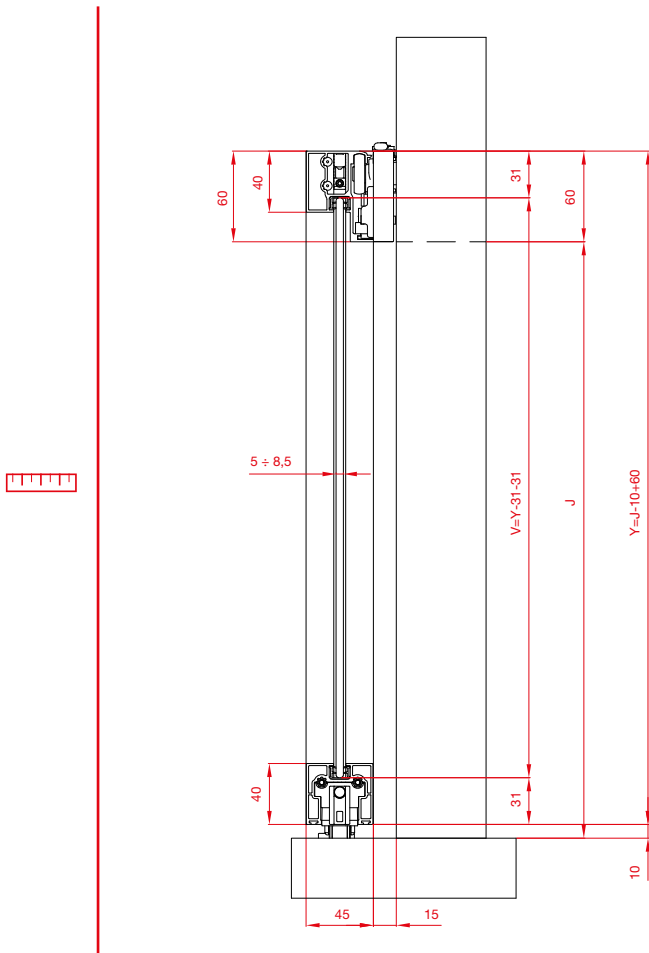
Patented system
Sistem patentat



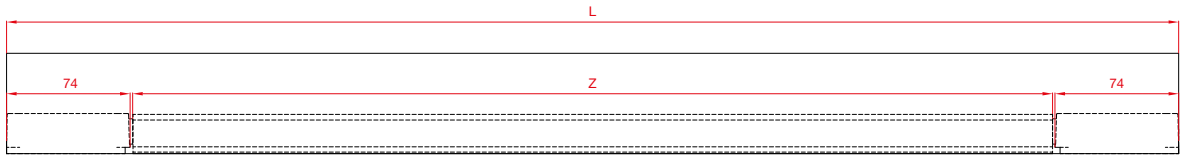
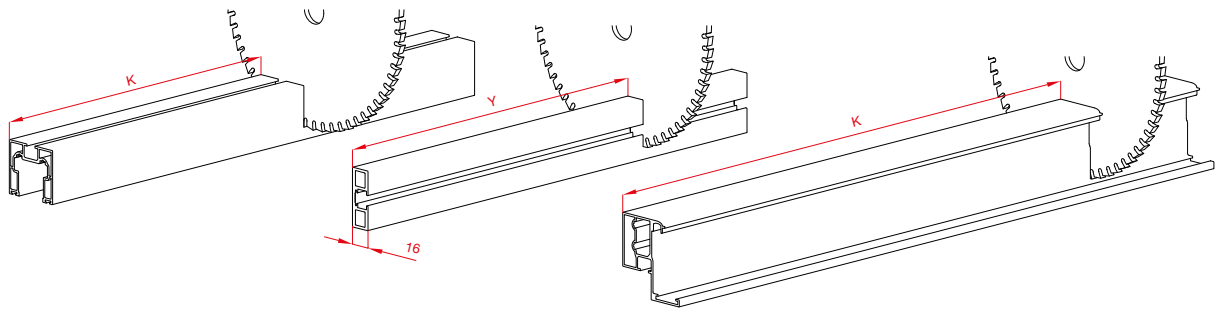
W	H	CODE	COLOURS / CULORI				MIN
			AS	NKS	E3S	NS	
1100 mm	2200 mm	K.0462.1.1	.02	.17	.13	.15	1x
	2600 mm	K.0462.1.2	.02	.17	.13	.15	1x
	3000 mm	K.0462.1.3	.02	.17	.13	.15	1x
1500 mm	2200 mm	K.0461.1.1	.02	.17	.13	.15	1x
	2600 mm	K.0461.1.2	.02	.17	.13	.15	1x
	3000 mm	K.0461.1.3	.02	.17	.13	.15	1x

MEASUREMENTS DESCRIPTION / DESCRIERE MASURATORI

GLASS SIZE CALCULATION TABLE / TABEL DE CALCUL PENTRU DIMENSIUNEA STICLEI

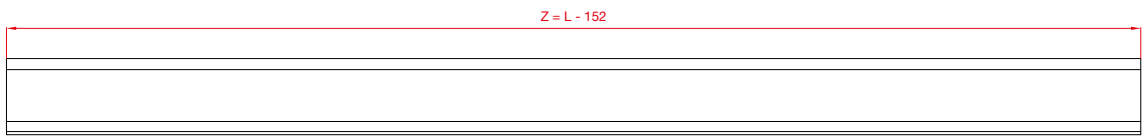


PROFILES CUTTING MEASUREMENTS / MASURATORI PENTRU TAIERIA PROFILELOR



ART. 2858

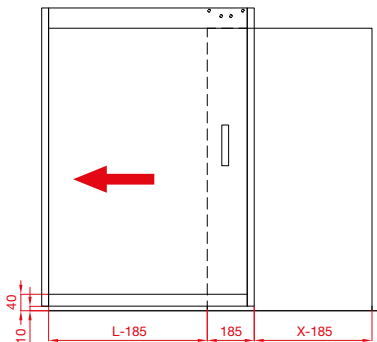
ART. 2858



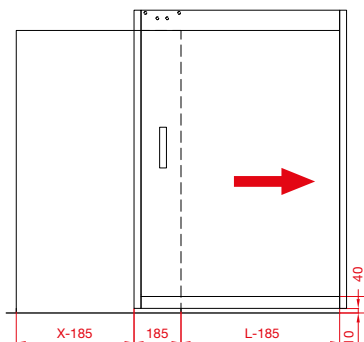
ART. 2860

ACCESSORIES PLACEMENT (STANDARD POSITION) / AMPLASAREA ACCESORIILOR (POZITIA STANDARD)

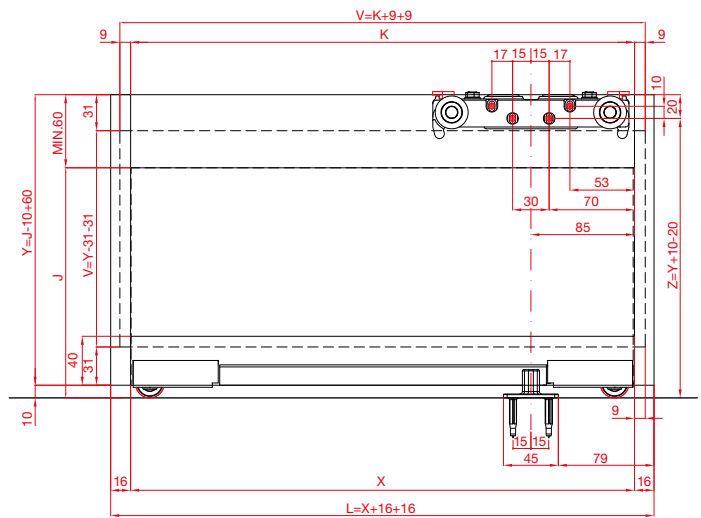
LEFT OPENING / DESCHIDERE STANGA



RIGHT OPENING / DESCHIDERE DREAPTA



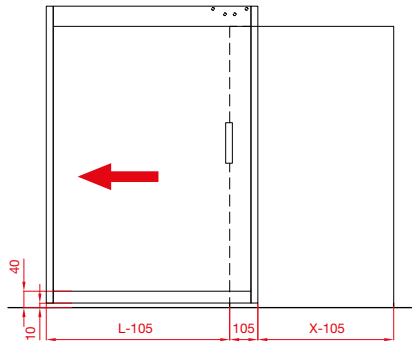
X = Min. 818 mm (L = 850) X
 = Max. 1468 mm (L = 1500)



ACCESSORIES PLACEMENT (INTERMEDIATE POSITION) / AMPLASAREA ACCESORIILOR (POZITIA INTERMEDIARA)

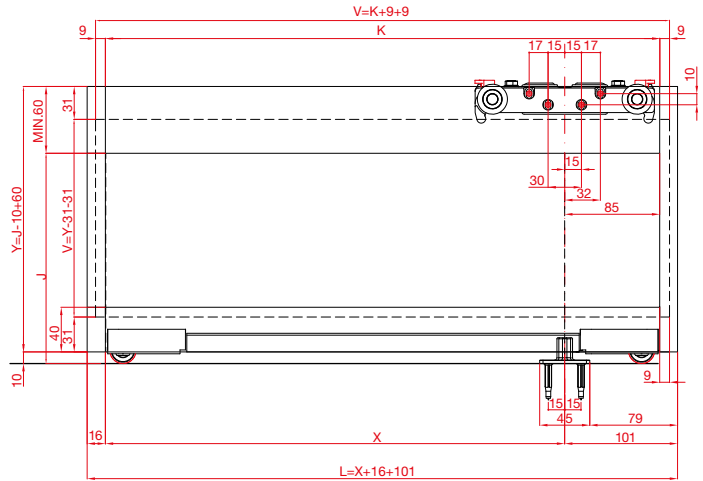
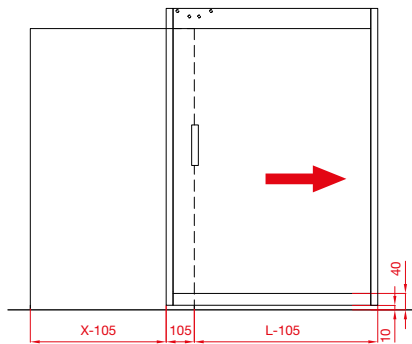


LEFT OPENING / DESCHIDERE STANGA



X = Min. 733 mm (L = 850) X =
Max. 1383 mm (L = 1500)

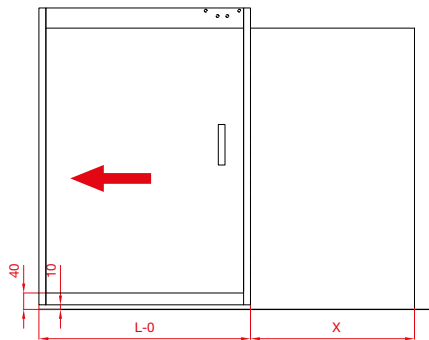
RIGHT OPENING / DESCHIDERE DREAPTA



ACCESSORIES PLACEMENT (TOTAL OPENING POSITION) / AMPLASAREA ACCESORIILOR (POZITIA DESCHIDERE COMPLETA)

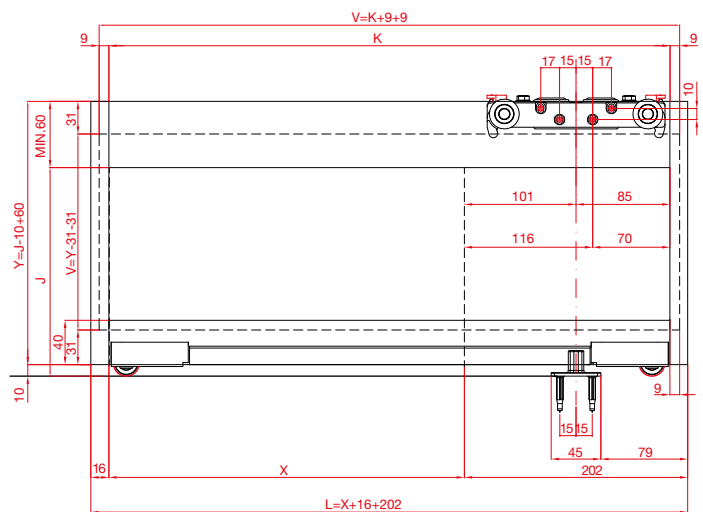
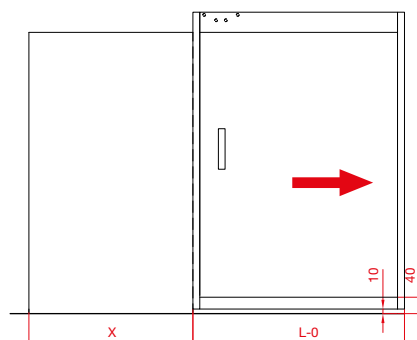


LEFT OPENING / DESCHIDERE STANGA

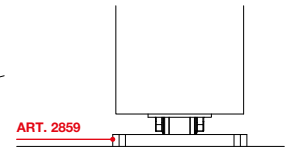
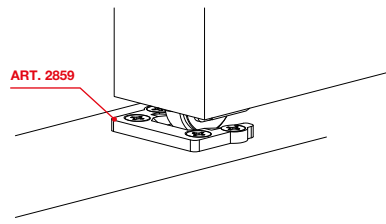
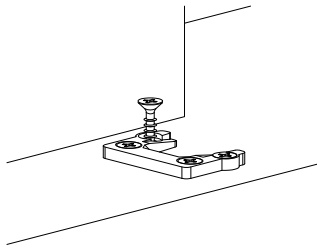


X = Min. 632 mm (L = 850) X = Max. 1282 mm (L = 1500)

RIGHT OPENING / DESCHIDERE DREAPTA

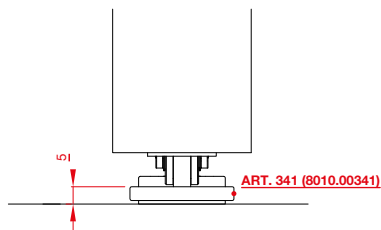
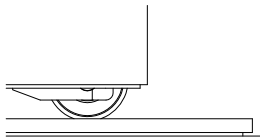


ART. 2859 - END STOPPER / OPRITOR DE CAPAT



ALUMINIUM TRACK FOR IRREGULAR FLOOR SINA DIN ALUMINIU PENTRU PODEA NEREGULATA

OPTIONAL



ALUMINIUM PROFILE
PROFIL DE ALUMINIU

ART. 341
(8010.00341)

ADHESIVE / ADEZIV

ART. 341
8 01 0 .00341



Terno Scorrevoli S.p.A.

Via Ravenna, 4 - 20814 Varedo (MB) ITALY
Phone +39 0362 543001 - Fax +39 0362 582290

terno@ternoscorrevoli.com
www.ternoscorrevoli.com